



Jergens[®]

MANUFACTURING EFFICIENCY



WORKHOLDING SOLUTIONS



SPECIALTY FASTENERS



LIFTING SOLUTIONS





Quality Control for Safety's Sake

Our quality control procedures define the entire manufacturing process and provide complete traceability from raw materials, tested in our metallurgical lab, to finished product. Our state-of-the-art, 110,000 square foot facility is AS 9100 Rev D / ISO 9001:2015 Certified, and our center and side pull hoist rings are CE certified. Finally, all hoist rings conform to: (OSHA) 29 CFR 1918, ANSI/ASME B30.26, MIL-STD-1365C, MIL-STD-209K.

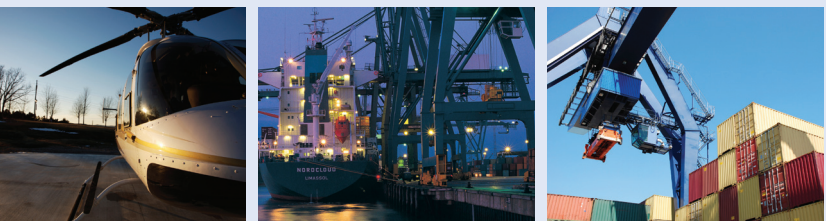
Rugged American Made Quality

Jergens hoist rings are made the way they should be: right here in the USA, starting with domestically-produced, certified alloy steel. Choose Jergens and get tough, dependable, American-made quality every time. Period.

Jergens, Inc. is a proud supplier to leading companies in the following industries:

- Transportation
- Military/Aviation
- Manufacturing
- Metalworking
- Material Handling
- Recreation
- Entertainment

View our Quality Certifications at
www.jergensinc.com/qualitycertifications



Company Information



Jergens Company Profile

Jergens Inc. was founded in 1942 by Jack Schron, Sr. and his father Christy, to provide standard components for building jigs and fixtures. Today the fourth generation of family involvement continues stronger than ever. Throughout its 75-year history the company has grown into four separate operating divisions: Tooling Component Division (TCD), Jergens Industrial Supply (JIS), Acme Industrial Company (AIC), and Advanced Systems Group (ASG) Division of Jergens. While all divisions are vital to the Jergens family, the TCD Division is the centerpiece of our manufacturing capabilities. In June 1999, Jergens moved into a new 110,000 square foot facility and prides itself by manufacturing over 80% of its product offering, as well as setting the standard for producing the highest quality components in our industry.

Jergens Tooling Component Division comprises three distinct business units: Workholding Solutions, Lifting Solutions and Specialty Fasteners. Building on its reputation of uncompromising quality standards, Jergens is committed to helping its customers achieve leaner, more profitable manufacturing, and continues to add products and engineered solutions for an integrated approach to “Manufacturing Efficiency.”

Today, you'll find our tooling components, fasteners and hoist rings at work in just about every industry on every continent. And our innovative Quick Change Workholding Solutions like Ball Lock® Mounting System, Fixture-Pro® 5-Axis Workholding and Zero Point Systems have changed the way manufacturers worldwide think about productivity.

Jergens actively supports global, multinational and internationally based customers with metric dimensioned product offerings as well as many inch threaded products that are common in aerospace and industrial applications around the world. In important manufacturing markets in Canada, Europe, Asia and Latin America, Jergens representatives and stocking distributors have represented Jergens for more than 30 years. Our international representatives are trained technically on our products and provide expertise to customers and sub dealers in applying Jergens technologies to local industries. In recent years, two wholly owned affiliates were formed to serve the Chinese and Indian markets. Jergens (Shanghai) Commercial Co., Ltd, opened in 2006 and Jergens India Private Ltd., Navi Mumbai India opened in 2009. These fully registered trading subsidiaries employ trained multi-lingual engineers and commercial managers who provide marketing and importing, warehousing, distribution and technical support to our customers, distributors and local representatives.

Additionally, we offer a wide range of metalworking tools, clamps, and supplies to manufacturers in Northeastern Ohio, through our JIS Division. Acme Industrial, located in Carpentersville, Illinois, is a premium manufacturer of precision drill bushings and keylocking thread inserts. Our ASG Division specializes in products for light assembly ranging from torque-controlled electric screwdrivers to automation systems.

In addition to our unique product designs, we lead the industry with unparalleled customer service and delivery. Our website is a good example of our commitment to be the most innovative company in our industry. Customers and distributors can check stock and order on-line, view the Jergens catalog, and even download 2D, 3D and solid model CAD drawings in a variety of formats. Visit our website at www.jergensinc.com for the latest news and product information, as well as links to our other divisions. The Jergens family thanks you for your business.

Distribution of Jergens Products

Jergens is proud to be represented by a network of qualified distributors throughout the world. If you do not know the name of the distributor nearest you, please call Jergens Customer Service at 1-877-486-1454 or visit www.jergensinc.com/sales-rep-locator.

Quality Policy

Jergens, Inc. manufactures and supplies only *quality* products. Our quality system is AS 9100 Rev. D / ISO 9001:2015 Certified. Center-Pull and Side-Pull Hoist Rings are CE Certified. If there is a problem with any of our products, please contact your local Jergens Distributor or contact our Customer Service Department.

Design Aids

Jergens, Inc. offers several CAD drawing formats for use in fixture design. Our Fixture Pro® software is available on CD. Our website (www.jergensinc.com) offers our complete catalog with hot links to CAD drawings on most of our products. We also offer 3D solid models of our products via the internet.

Application Assistance

Jergens Inc. maintains a complete Technical Sales Department to work with you. Please feel free to call upon their knowledge and experience. Application videos are available for the Lift-Check™, Center-Pull Hoist Rings and various other products at www.jergensinc.com or www.youtube.com/users/jergensinc.

Engineering Changes

Product improvement is a continuing process at Jergens, Inc. Specifications and engineering data are subject to change without notice. **If current information is critical to your design, it is suggested that you contact the Jergens Customer Service Department, or download the most current drawing from our website*, to verify any dimensions or specifications.**

Bar Coding

Jergens' boxed and bagged products are fully bar coded for automatic identification. The bar code labels contain the ASCII Code 39 format, which was chosen as being suitable for most bar code readers. Jergens' bar codes will identify part numbers and manufacturer's codes.

Specials

Jergens, Inc. will modify any item that is similar to our standard component parts. Please contact your Jergens Distributor with your request for a quote. Prints or sketches should be furnished if possible.

Alloy Steel - 4140 or equivalent

Low Carbon Steel - Free Machining 1215, 1018, or equivalent

52100: QQS-624

Zinc Plate: ASTM B633, Type V, VI, Class FE/ZN 5

Cadmium Plate: AMS-QQ-P-416, Class 3, Type 1

Black Oxide: MIL-DTL-13924 and AMS-2485

Anodize: per Mil. Spec. MIL-A-8625, Type II, Class 2 and AMS-2472

Passivate: AMS 2700

Alternate Finishes available upon request.

Electroless Nickel Plating

Envirolox: AMS 2404, AMS-C-26074, Mil-C-26074

Temp Range: Max 400° F (204°C), min -20°F (-28°C) for Alloy Steel

Magnetic Particle Inspection: ASTM E1444

* 3D Solid Models are available in multiple formats from www.jergensinc.com

Jergens, Inc.
Manufacturing Number: 697830
FSCM #94882
AS 9100 Rev. D
ISO 9001: 2015
Registration # 20.841.1

Lifting Solutions

Installation Information5
 Shackle-Lok™ Shackle Style6-7
 Lift-Check™ Center Pull Style 8-9
 Lift-Check™ Open Bail Forged Style10-11
 Lift Check™ SP2000™ Side-Pull Style 12-13
 Envirolox™ Protective Finish14
 Hoist Ring Hold Down Clips14
 Bolt Replacement Kits15
 Center-Pull Traditional Style 16-17
 Open Bail Forged Center Pull Style18-19
 Closed Bail Forged Center Pull Style 20-21
 Closed Bail Forged Center Pull Style - Stainless22
 Side-Pull Traditional Style Precision Cast Body.....23
 SP 2000™ Side-Pull Style Extended D Ring24-25
 Side Swivel26
 Swivel Eyebolt.....27
 Small Swivel Eyebolt28
 Large Swivel Eyebolt.....28
 Pivoting Lift Ring29
 Eye Nuts.....29
 Shoulder Eye Bolts30
 Kwik-Lok® Lifting Pins.....31
 Threaded Receptacles32
 Quality Standards..... 33-34

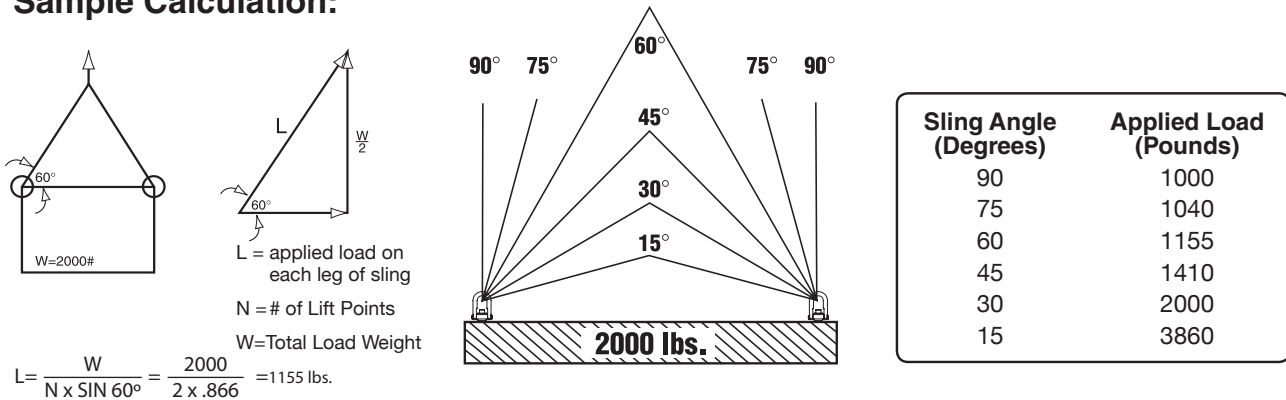
Engineer The Lift!!

- Jergens recommends the use of swiveling and pivoting hoist rings.
- Conventional eye bolts should be used for straight vertical lifts only.
- Are you using the proper hoist ring for the application?
- Is the hoist ring free to swivel and pivot? Any movement restrictions?
- Are lifting hole(s) in the proper location?
- Do you have the correct hole size for the hardware - safe lift capacity?
- Are the holes tapped deep enough to ensure full thread engagement?
(See figure #3 on Installation Information; page 6.)
- Recommended thread depth:
Steel – 1-1/2 times the bolt diameter (min.)
Aluminum – 2 times the bolt diameter (min.)
- **RULE OF THUMB, IF IN DOUBT – DON'T!!!**

Applied Load Changes With Sling Angle

Jergens swivelling hoist rings are designed and rated to be pulled at any angle at the rated load. However, the applied load on a multipoint lift will increase if the sling angle is less than 90°. So be sure to consider the sling angle when selecting lifting equipment. See illustration below.

Sample Calculation:



DO'S

1. Observe working load limitations (be especially careful with eyebolts used for angle lifts – see sling angle chart).
2. Visually inspect hoist ring prior to use.
3. Fully tighten hoist ring to recommended torque. Full thread engagement is required (no space between swivel bushing and lift).
4. Ensure proper thread depth - do not shim.
5. Make sure hoist rings have free travel - it must swivel and pivot without restrictions.
6. When installing in soft metal, such as aluminum, the minimum effective thread engagement should be two times the diameter of the thread (1-1/2 times bolt diameter – steel).

DON'TS

1. Never pull a Center Pull Style hoist ring bar from the side.
2. Never use an oversized hook in eyebolts or hoist rings (See figure #1 on Installation Information; page 6).
3. Never use excessive sling angle.
4. Never steam clean or degrease hoist rings (could cause rusting and binding).
5. Never apply shock loads.
6. Never allow the side of a hoist ring to make contact with the lift. (See figure #2 on Installation Information; page 6.)
7. Never alter hoist rings.

Installation Information

Select the proper Hoist Ring for the job. Do not attempt to apply more than the rated load capacity. *The load capacity is marked on the Hoist Ring.*

Drill and tap the workpiece so that the hoist ring bolt is installed perpendicular to the surface of the workpiece. Countersink the tapped hole to prevent “swelling” of the top thread when the hoist ring bolt is torqued. The workpiece surface must be flat, providing complete contact for the hoist ring bushing.

Do not use spacers between the hoist ring bushing and the workpiece surface.

When installing in soft metal, such as aluminum, the minimum effective thread engagement should be two times the diameter of the thread. When installing in steel, thread engagement should be 1-1/2 times the thread diameter.

Load rating may be reduced if parent material is under 80,000 PSI ultimate tensile strength.

Always *tighten the bolt to the proper torque value*, which is stamped on the Hoist Ring.

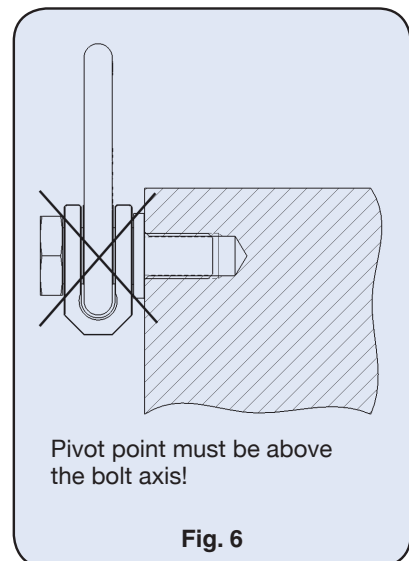
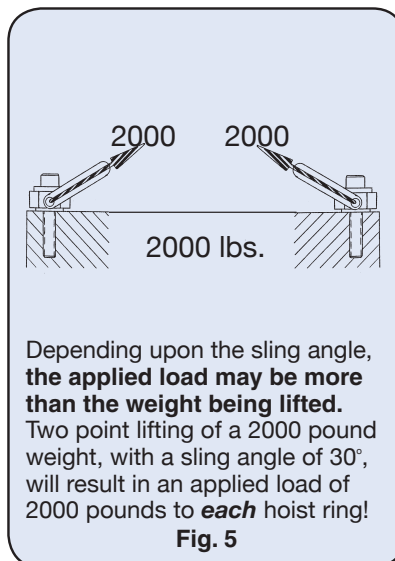
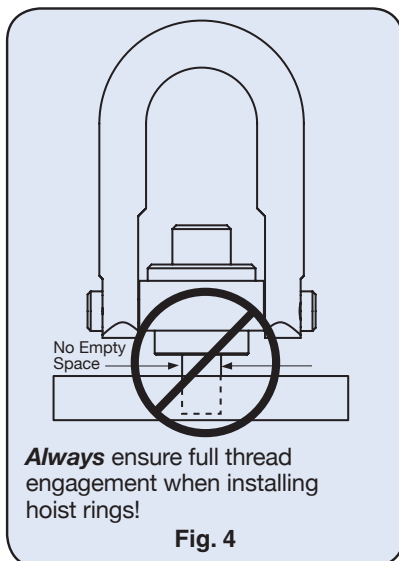
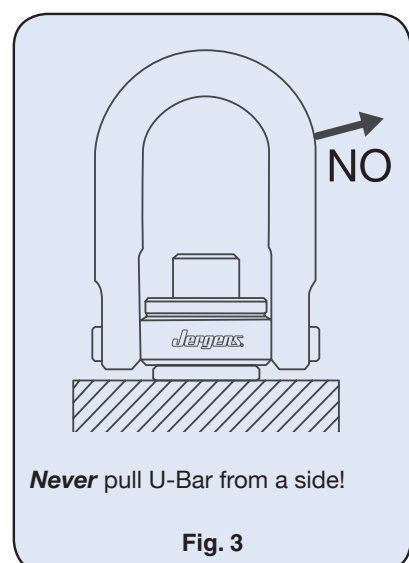
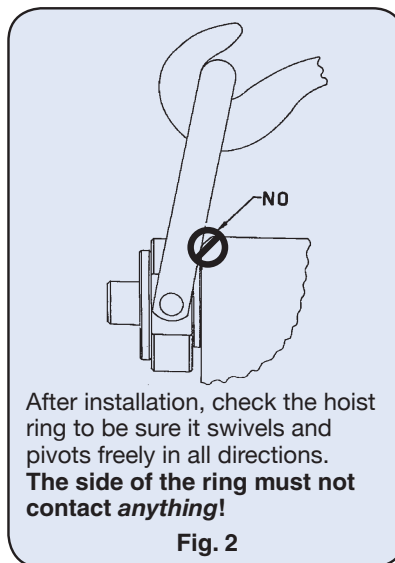
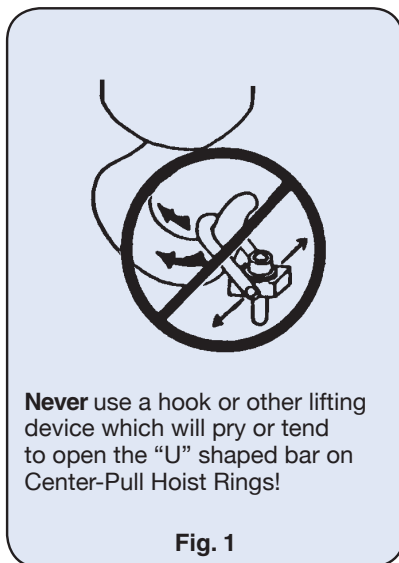
Loosening of the *bolt* may develop during use. *Re-tightening to the required torque must be done whenever the bolt loosens.* The proper tightening torque is stamped on the Hoist Ring.

When lifting, apply force gradually. **DO NOT APPLY SHOCK LOADS.**

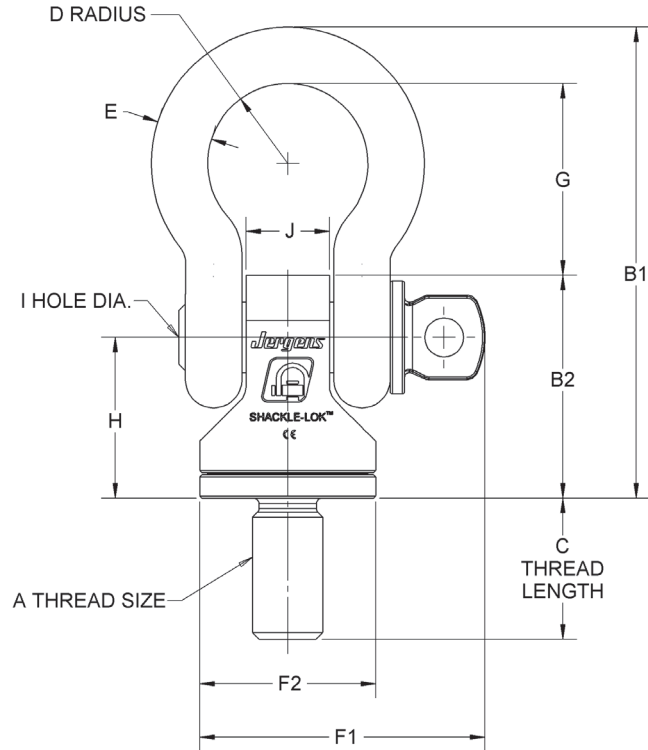
For through-hole applications, be sure that nut/washer are the same quality grade as the Hoist Ring.

Periodic visual inspection and pull testing is recommended as damage can occur from improper usage.

Always read and understand safety and installation information supplied with each Hoist Ring.



Shackle-Lok™ Shackle Style



Shackle-Lok™ combines the strength of a hoist ring with the versatility of a shackle. Its unique, 3-piece design is ideal for use with a variety of lift methods, and shackles are interchangeable. Shackle-Lok™ is simply the industry's most efficient below-the-hook lifting device from a weight to load rating ratio.

The Shackle-Lok™ was designed to work with numerous thread sizes. Any straight thread size, pitch, or length can be manufactured to meet application needs.

- Internal ball bearings allow for smooth rotation under load
- Full 360° swivel and 180° pivot action
- Easy to remove shackle
- Rated 5:1 strength factor in vertical pull. For other than vertical pull, reduce rated load by 30%
- Material: alloy steel
- Bolt and base finish: black oxide
- Bolt and base are magnetic particle inspected
- Shackle finish: zinc plated with gold colored conversion coating
- Proof tested to 200% of rated load capacity
- Certificate of proof test provided
- 3D Solid models available in multiple formats from www.jergensinc.com
- Temp range -20°F to 400°F



Shackle-Lok™ Shackle Style

Inch

Part Number		Thread Size A	Load ¹ Capacity (lbs)	Length		Thread Length C	Inside Shackle Radius D	Shackle Dia Size E	Width		Inside Shackle Clearance G	Pin Hole to Base (H)	Pin Hole Dia (I)	Web Thick (J)	Torque ² (ft. lbs)	Weight (lbs)		Hex size
With Shackle	No Shackle			With Shackle B1	No Shackle B2				With Shackle F1	No Shackle F2						With Shackle	No Shackle	
24400	24400NS	1/4-20	550	2.48	1.23	1/2	0.38	1/4	1.57	0.94	1.00	.95	.34	.40	3	0.26	0.15	5/32
24402	24402NS	5/16-18	800	2.48	1.23	9/16	0.38	1/4	1.57	0.94	1.00	.95	.34	.40	5	0.27	0.16	5/32
24403	24403NS	3/8-16	1000	2.48	1.23	9/16	0.38	1/4	1.57	0.94	1.00	.95	.34	.40	7	0.27	0.16	5/32
24405	24405NS	1/2-13	2500	4.17	1.97	3/4	0.71	1/2	2.96	1.56	1.7	1.42	.68	.74	23	1.32	0.62	1/4
24406	24406NS	1/2-13	2500	4.17	1.97	1	0.71	1/2	2.96	1.56	1.7	1.42	.68	.74	23	1.34	0.63	1/4
24408	24408NS	1/2-13	2500	4.17	1.97	1 1/4	0.71	1/2	2.96	1.56	1.7	1.42	.68	.74	23	1.35	0.65	1/4
24409	24409NS	5/8-11	4000	4.17	1.97	3/4	0.71	1/2	2.96	1.56	1.7	1.42	.68	.74	46	1.35	0.64	1/4
24410	24410NS	5/8-11	4000	4.17	1.97	1	0.71	1/2	2.96	1.56	1.7	1.42	.68	.74	46	1.37	0.66	1/4
24411	24411NS	5/8-11	4000	4.17	1.97	1 1/4	0.71	1/2	2.96	1.56	1.7	1.42	.68	.74	46	1.39	0.69	1/4
24412	24412NS	3/4-10	5000	5.56	2.71	1	0.94	5/8	3.72	2.3	2.23	2.06	.79	.98	69	3.42	1.98	3/8
24413	24413NS	3/4-10	5000	5.56	2.71	1 1/2	0.94	5/8	3.72	2.3	2.23	2.06	.79	.98	69	3.48	2.04	3/8
24414	24414NS	7/8-9	8000	7.25	3.52	1	1.31	7/8	5.63	2.9	2.85	2.62	1.06	1.36	130	7.66	3.95	7/16
24415	24415NS	7/8-9	8000	7.25	3.52	1 1/4	1.31	7/8	5.63	2.9	2.85	2.62	1.06	1.36	130	7.7	3.99	7/16
24416	24416NS	1-8	10000	7.25	3.52	1 1/4	1.31	7/8	5.63	2.9	2.85	2.62	1.06	1.36	185	7.76	4.05	7/16
24417	24417NS	1-8	10000	7.25	3.52	1 1/2	1.31	7/8	5.63	2.9	2.85	2.62	1.06	1.36	185	7.81	4.1	7/16
24418	24418NS	1-8	10000	7.25	3.52	2 1/4	1.31	7/8	5.63	2.9	2.85	2.62	1.06	1.36	185	7.98	4.27	7/16
24419	24419NS	1 1/4-7	15000	8.25	3.99	1 7/8	1.38	1	6.08	3.06	3.3	2.94	1.18	1.61	345	11.34	5.89	1/2
24420	24420NS	1 1/4-8	15000	8.25	3.99	1 7/8	1.38	1	6.08	3.06	3.3	2.94	1.18	1.61	345	11.35	5.89	1/2
24421	24421NS	1 1/2-6	24000	11.72	5.11	2 1/4	1.88	1 1/2	8.32	4.06	5.11	3.64	1.72	2.23	660	29	12.36	3/4
24424	24424NS	2-4 1/2	30000	11.72	5.11	3 1/8	1.88	1 1/2	8.32	4.06	5.11	3.64	1.72	2.23	1100	30.6	13.97	3/4
24426	24426NS	2 1/2-4	50000	14.22	6.52	4	2.25	1 3/4	9.57	5.22	6.0	4.47	2.07	2.67	2300	58.7	28.95	1
24427	24427NS	2 1/2-8	50000	14.22	6.52	4	2.25	1 3/4	9.57	5.22	6.0	4.47	2.07	2.67	2300	58.77	29.02	1

Metric

Part Number		Thread Size A	Load ¹ Capacity (kg)	Length		Thread Length C	Inside Shackle Radius D	Shackle Dia Size E	Width		Inside Shackle Clearance G	Pin Hole to Base (H)	Pin Hole Dia (I)	Web Thick (J)	Torque ² (Nm)	Weight (kg)		Hex size
With Shackle	No Shackle			With Shackle B1	No Shackle B2				With Shackle F1	No Shackle F2						With Shackle	No Shackle	
24450	24450NS	M6 x 1.0	200	63.0	31.2	12	9.5	6.4	39.9	23.9	25	24.1	8.7	10.2	3	0.12	0.07	4
24451	24451NS	M8 x 1.25	400	63.0	31.2	12.5	9.5	6.4	39.9	23.9	25	24.1	8.7	10.2	7	0.12	0.07	4
24452	24452NS	M10 x 1.5	450	63.0	31.2	17.5	9.5	6.4	39.9	23.9	25	24.1	8.7	10.2	10	0.13	0.08	4
24453	24453NS	M12 x 1.75	1050	105.9	50.0	19.5	18.0	12.7	75.1	39.6	43	36.1	17.1	18.8	27	0.60	0.28	8
24455	24455NS	M16 x 2.0	1900	105.9	50.0	29	18.0	12.7	75.1	39.6	43	36.1	17.1	18.8	70	0.63	0.31	8
24456	24456NS	M20 x 2.5	2150	141.2	68.8	32	23.8	15.9	94.4	58.4	57	52.3	20.0	24.9	105	1.57	0.92	10
24458	24458NS	M24 x 3.0	4200	184.2	89.4	37	33.4	22.2	143.0	71.1	72	66.5	26.9	34.5	225	3.52	1.84	12
24459	24459NS	M30 x 3.5	7000	209.6	101.3	46	34.9	25.4	154.3	77.7	83	74.7	29.8	40.9	490	5.10	2.63	14
24460	24460NS	M30 x 3.5	7000	209.6	101.3	66	34.9	25.4	154.3	77.7	83	74.7	29.8	40.9	490	5.22	2.74	14
24463	24463NS	M36 x 4.0	11000	297.7	129.8	54	47.8	38.1	211.3	103.1	130	93.0	43.6	56.6	885	13.07	5.52	19
24465	24465NS	M42 x 4.5	12500	297.7	129.8	68	47.8	38.1	211.3	103.1	130	93.0	43.6	56.6	1175	13.37	5.82	19
24466	24466NS	M48 x 5.0	13500	297.7	129.8	88	47.8	38.1	211.3	103.1	130	93.0	43.6	56.6	1420	13.87	6.32	19
24468	24468NS	M64 x 6.0	22500	361.2	165.6	96	57.2	44.5	243.0	132.6	151	113.5	52.5	67.8	3140	26.54	13.04	24

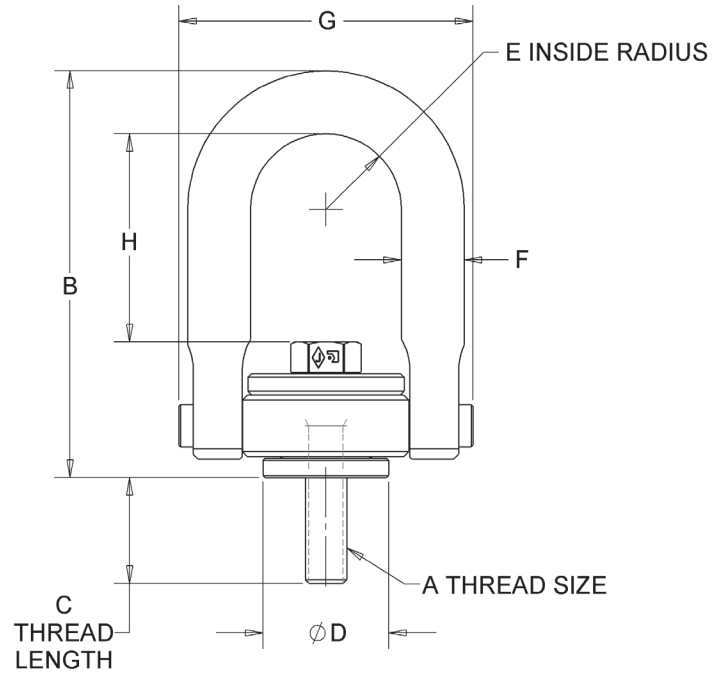
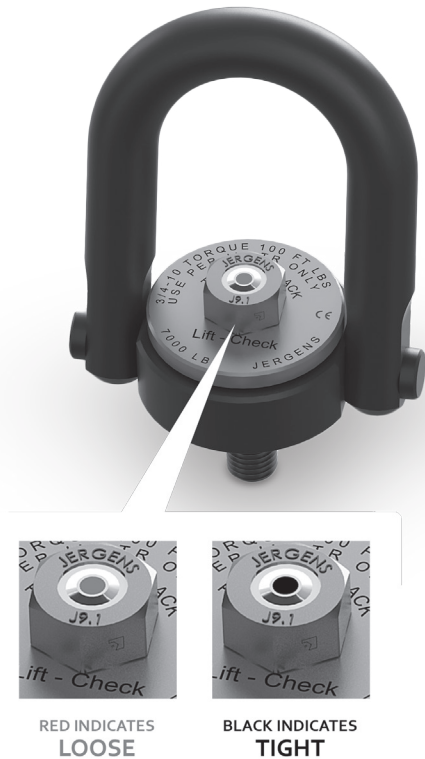
¹ Stated load capacity based on recommended thread torques as shown in chart.

² It is recommended that these torques be used when installing hoist rings.

Shackle Material: Carbon Steel
Shackle Type: IV A, Grade A, Class 2

Note: When tightening the bolt, the shackle and pin must be removed.
 Not intended for prolonged rotation

Lift-Check™ Center Pull Style



LIFTING SOLUTIONS

The Jergens Lift-Check™ hoist ring assures that your application is secure and ready to lift. The Lift-Check™ is comprised of a Jergens' patented proprietary hex head cap screw which integrates the Visual Tension Indicator.

Patented Lift-Check™ Center Pull and Forged Style Hoist Rings are rated at 5:1 strength Factor & Proof tested to 200% of rated load capacity, certificate of proof test provided, in accordance with ASME B30.26. Visual Tension Indicator confirms engagement – clearly illustrates whether bolt joint is loose or tight. Ensures safety and provides accuracy of +/- 10% of designed tension. Hands-free inspection at a distance, prior to the lift. Reduces installation time. No torque wrench or calibration needed. Lift-Check™ bolts are reusable and provide reliable visual indication of joint clamping force. Bolt kits available for Jergens hoist ring upgrades.

- **Material:** Alloy Steel
- **Finish:** Black Oxide
- **Washer:** Zinc Plated with Yellow Chromate Coating (Inch), Clear/Blue Conversion Coating (Metric)
- **U-bar, Bolt, Pins, Base, Washer and Bushing** Magnetic Particle Inspected
- **Rated at 5:1 Strength Factor**
- **Full 360° Swivel and 180° Pivot**
- **Conforms to ASME B30.26 and Mil-STD-209K**
- **Temperature variations may apply (-20°C to 75°C / -4°F to 168°F)**
- **No torque wrench or calibration required, thus reducing installation time**
- **The Lift-Check™ hoist ring visual tension indicator confirms engagement—clearly illustrates whether the bolted joint is loose or tight**
- **Hands-free inspection at a distance, prior to the lift**
- **Proof Tested to 200% of rated load capacity**
- **Available in inch and metric sizes**



Lift-Check™ Center Pull Style

Inch

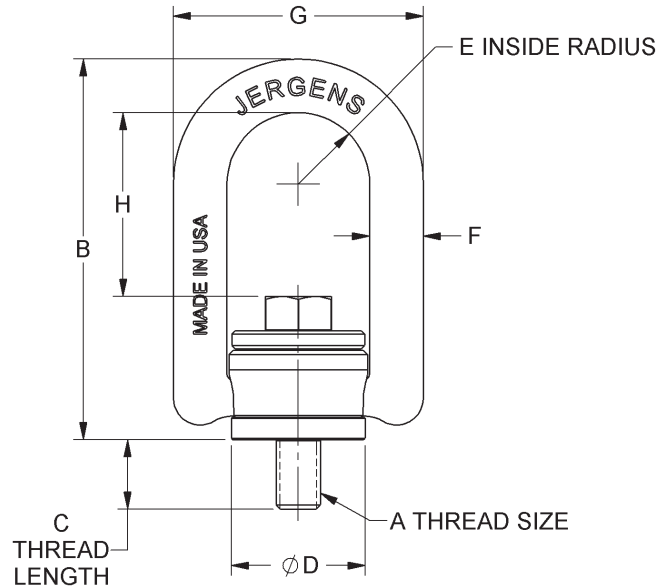
Thread Size A	Load Capacity (lbs)	Standard U-Bar		Long U-Bar		Thread Length C	D	E	F	G	Std U-Bar H	Long U-Bar H	Torque (ft. lbs)	Wt. (lbs)	BOLT REPLACEMENT KIT
		Part #	B	Part #	B										
1/2-13	2500*	23410LC	3.75	-	-	1 1/16	1.20	0.69	0.50	2.56	1 29/32	-	28	1.0	23610LC
1/2-13	2500	23411LC	4.84	23511LC	6.72	3/4	1.50	0.88	0.75	3.52	2 1/2	4 3/8	28	2.5	23611LC
1/2-13	2500	23412LC	4.84	23512LC	6.72	1	1.50	0.88	0.75	3.52	2 1/2	4 3/8	28	2.5	23612LC
1/2-13	2500	23413LC	4.84	23513LC	6.72	1 1/4	1.50	0.88	0.75	3.52	2 1/2	4 3/8	28	2.5	23613LC
5/8-11	4000*	23414LC	4.84	23514LC	6.72	1	1.50	0.88	0.75	3.52	2 13/32	4 11/32	60	2.7	23614LC
5/8-11	4000*	23415LC	4.84	23515LC	6.72	1 1/4	1.50	0.88	0.75	3.52	2 13/32	4 11/32	60	2.7	23615LC
5/8-11	4000*	23416LC	4.84	23516LC	6.72	3/4	1.50	0.88	0.75	3.52	2 13/32	4 11/32	60	2.7	23616LC
3/4-10	5000	23417LC	4.84	23517LC	6.72	1	1.50	0.88	0.75	3.52	2 5/16	4 3/16	100	3.0	23617LC
3/4-10	5000	23418LC	4.84	23518LC	6.72	1 1/2	1.50	0.88	0.75	3.52	2 5/16	4 3/16	100	3.0	23618LC
3/4-10	7000*	23420LC	6.42	23520LC	8.11	1	2.31	1.40	1.00	5.14	3 1/8	4 3/16	100	6.8	23620LC
3/4-10	7000*	23421LC	6.42	23521LC	8.11	1 1/2	2.31	1.40	1.00	5.14	3 1/8	4 3/16	100	6.8	23621LC
7/8-9	8000*	23423LC	6.42	23523LC	8.11	1	2.31	1.40	1.00	5.14	2 31/32	4 9/16	160	7.0	23623LC
7/8-9	8000*	23424LC	6.42	23524LC	8.11	1 1/4	2.31	1.40	1.00	5.14	2 31/32	4 9/16	160	7.0	23624LC
1-8	10000	23425LC	6.42	23525LC	8.11	1 1/4	2.31	1.40	1.00	5.14	2 7/8	4 15/32	230	7.3	23625LC
1-8	10000	23426LC	6.42	23526LC	8.11	1 1/2	2.31	1.40	1.00	5.14	2 7/8	4 15/32	230	7.3	23626LC
1-8	10000	23427LC	6.42	23527LC	8.11	2 1/4	2.31	1.40	1.00	5.14	2 7/8	4 15/32	230	7.3	23627LC
1 1/4-7	15000	23429LC	8.73	-	-	1 7/8	3.19	1.75	1.25	6.50	4 7/16	-	470	14.3	23629LC
1 1/4-8	15000	23429-08LC	8.73	-	-	1 7/8	3.19	1.75	1.25	6.50	4 7/16	-	470	14.3	23629-08LC
1 1/2-6	24000	23433LC	12.54	-	-	2 3/4	4.19	2.25	1.75	8.55	6 15/16	-	800	34.8	23633LC
1 1/2-8	24000	23433-08LC	12.54	-	-	2 3/4	4.19	2.25	1.75	8.55	6 15/16	-	800	34.8	23633-08LC
2-4 1/2	30000	23435LC	12.54	-	-	3 1/8	4.19	2.25	1.75	8.55	6 9/16	-	1100	38.0	23635LC
2-8	30000	23435-08LC	12.54	-	-	3 1/8	4.19	2.25	1.75	8.55	6 9/16	-	1100	38.0	23635-08LC

Metric

Thread Size A	Load Capacity (kg)	Standard U-Bar		Long U-Bar		Thread Length C	D	E	F	G	Std U-Bar H	Long U-Bar H	Torque (Nm)	Wt. (kg)	BOLT REPLACEMENT KIT
		Part #	B	Part #	B										
M12 x 1.75	1050	23462LC	123.0	23562LC	170.7	19	38.1	22.4	19	89.4	65	114	37	1.1	23622LC
M16 x 2.0	1700	23465LC	123.0	23565LC	170.7	29	38.1	22.4	19	89.4	62	111	80	1.1	23665LC
M20 x 2.5	2150	23468LC	123.0	23568LC	170.7	34	38.1	22.4	19	89.4	59	108	135	1.2	23668LC
M20 x 2.5	3000	23471LC	163.0	23571LC	203.0	32	58.7	35.6	25.4	130.6	79	119	135	3.1	23671LC
M24 x 3.0	4200	23474LC	163.0	23574LC	203.0	37	58.7	35.6	25.4	130.6	77	117	305	3.2	23674LC
M30 x 3.5	7000	23478LC	221.7	-	-	46	81.0	44.5	31.7	165.1	117	-	590	6.3	23678LC
M30 x 3.5	7000	23479LC	221.7	-	-	66	81.0	44.5	31.7	165.1	117	-	590	6.4	23679LC
M36 x 4.0	11000*	23483LC	318.5	-	-	68	106.4	57.2	44.4	217.2	179	-	980	15.5	23683LC
M42 x 4.5	12500	23484LC	318.5	-	-	68	106.4	57.2	44.4	217.2	176	-	980	16.0	23684LC
M48 x 5.0	13500	23485LC	318.5	-	-	88	106.4	57.2	44.4	217.2	172	-	980	16.8	23685LC

*Rated load may be reduced at 90° from vertical.

Lift-Check™ Open Bail Forged Style



Visual Tension Indication System (VTIS) quickly ensures the load is secure and ready to lift. Lifting and moving heavy loads is critical operation, both for the load and worker safety. Make Lift-Check™ a part of your OSHA-approved lifting plan.

Patented Lift-Check™ Center Pull and Forged Style Hoist Rings are rated at 5:1 strength Factor & Proof tested to 200% of rated load capacity, certificate of proof test provided, in accordance with ASME B30.26. Visual Tension Indicator confirms engagement – clearly illustrates whether bolt joint is loose or tight. Ensures safety and provides accuracy of +/- 10% of designed tension. Hands-free inspection at a distance, prior to the lift. Reduces installation time. No torque wrench or calibration needed. Lift-Check™ bolts are reusable and provide reliable visual indication of joint clamping force. Bolt kits available for Jergens hoist ring upgrades.

- **Material: Alloy Steel**
- **Finish: Black Oxide**
- **Washer: Zinc Plated with Yellow Chromate Coating (Inch), Clear/Blue Conversion Coating (Metric)**
- **U-bar, Bolt, Base, Washer and Bushing Magnetic Particle Inspected**
- **Rated at 5:1 Strength Factor**
- **Full 360° Swivel and 180° Pivot**
- **Conforms to ASME B30.26 and Mil-STD-209K**
- **Temperature variations may apply (-20°C to 75°C / -4°F to 168°F)**
- **No torque wrench or calibration required, thus reducing installation time**
- **The Lift-Check™ hoist ring visual tension indicator confirms engagement—clearly illustrates whether the bolted joint is loose or tight**
- **Hands-free inspection at a distance, prior to the lift**
- **Proof Tested to 200% of rated load capacity**
- **Available in inch and metric sizes**



Lift-Check™ Open Bail Forged Style

Inch

Thread Size A	Load Capacity (lbs)	Standard U-Bar		Thread Length C	D	E	F	G	H	Torque (ft. lbs)	Wt. (lbs)	BOLT REPLACEMENT KIT
		Part #	B									
1/2-13	2500	23875LC	5.34	3/4	1.87	1	0.75	3 1/2	2 11/16	28	2.4	23275LC
1/2-13	2500	23876LC	5.34	1	1.87	1	0.75	3 1/2	2 11/16	28	2.4	23276LC
1/2-13	2500	23877LC	5.34	1 1/4	1.87	1	0.75	3 1/2	2 11/16	28	2.4	23277LC
5/8-11	4000	23878LC	5.34	3/4	1.87	1	0.75	3 1/2	2 9/16	60	2.5	23278LC
5/8-11	4000	23879LC	5.34	1	1.87	1	0.75	3 1/2	2 9/16	60	2.5	23279LC
5/8-11	4000	23880LC	5.34	1 1/4	1.87	1	0.75	3 1/2	2 9/16	60	2.5	23280LC
3/4-10	5000	23881LC	5.34	1	1.87	1	0.75	3 1/2	2 17/32	100	2.7	23281LC
3/4-10	5000	23882LC	5.34	1 1/2	1.87	1	0.75	3 1/2	2 17/32	100	2.7	23282LC
3/4-10	7000*	23883LC	7.40	1	2.88	1.5	1	5 13/50	3 11/16	100	7.6	23283LC
3/4-10	7000*	23884LC	7.40	1 1/2	2.88	1.5	1	5 13/50	3 11/16	100	7.6	23284LC
7/8-9	8000*	23885LC	7.40	1	2.88	1.5	1	5 13/50	3 9/16	160	7.9	23285LC
7/8-9	8000*	23886LC	7.40	1 1/4	2.88	1.5	1	5 13/50	3 9/16	160	7.9	23286LC
1-8	10000	23887LC	7.40	1 1/4	2.88	1.5	1	5 13/50	3 15/32	230	8.2	23287LC
1-8	10000	23888LC	7.40	1 1/2	2.88	1.5	1	5 1/4	3 15/32	230	8.2	23288LC
1-8	10000	23889LC	7.40	2 1/4	2.88	1.5	1	5 1/4	3 15/32	230	8.2	23289LC
1 1/4-7	15000	23890LC	10.08	1 7/8	4.22	2.25	1.31	7 3/8	4 1/2	470	22.7	23290LC
1 1/4-8	15000	23890-08LC	10.08	1 7/8	4.22	2.25	1.31	7 3/8	4 1/2	470	22.7	23290-08LC
1 1/2-6	24000	23892LC	10.08	2 7/8	4.22	2.25	1.31	7 19/50	4 3/8	800	23.9	23292LC
1 1/2-8	24000	23892-08LC	10.08	2 7/8	4.22	2.25	1.31	7 19/50	4 3/8	800	23.9	23292-08LC
2-4 1/2	30000	23894LC	10.08	2 7/8	4.22	2.25	1.31	7.38	4 1/16	1100	26.8	23294LC
2-8	30000	23894-08LC	10.08	2 7/8	4.22	2.25	1.31	7.38	4 1/16	1100	26.8	23294-08LC

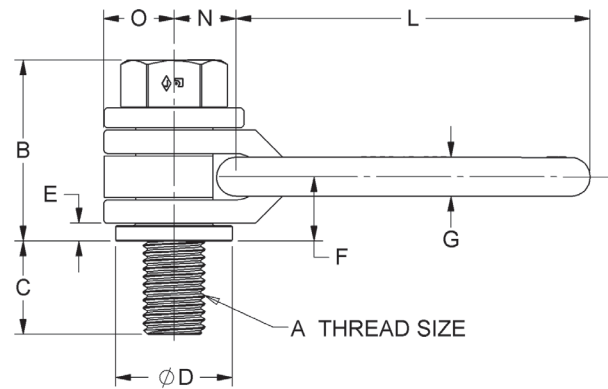
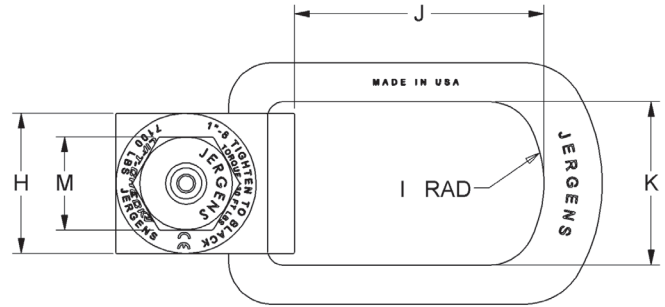
*Rated load may be reduced at 90° from vertical.

Metric

Thread Size A	Load Capacity (kg)	Standard U-Bar		Thread Length C	D	E	F	G	H	Torque (Nm)	Wt. (kg)	BOLT REPLACEMENT KIT
		Part #	B									
M12 x 1.75	1050	23854LC	135.6	25.0	47.5	25.4	19.1	88 9/10	70	37	1.08	23254LC
M14 x 2.0	1500	23856LC	135.6	25.0	47.5	25.4	19.1	88 9/10	68.6	45	1.11	23256LC
M16 x 2.0	1900	23858LC	135.6	25.0	47.5	25.4	19.1	88 9/10	67.4	80	1.14	23258LC
M16 x 2.0	1900	23859LC	135.6	32.0	47.5	25.4	19.1	88 9/10	67.4	80	1.14	23259LC
M20 x 2.5	2150	23860LC	135.6	25.0	47.5	25.4	19.1	88 9/10	64.8	135	1.21	23260LC
M20 x 2.5	3000	23862LC	188.0	28.0	73.2	38.1	25.4	133 3/5	94.7	135	3.44	23262LC
M24 x 3.0	4200	23864LC	188.0	38.0	73.2	38.1	25.4	133 3/5	92.2	305	3.57	23264LC
M30 x 3.5	4500	23866LC	188.0	48.0	73.2	38.1	25.4	133 3/5	88.1	305	3.87	23266LC
M30 x 3.5	7000	23867LC	256.0	60.0	107.2	57.2	33.3	187 1/2	118.9	590	10.2	23267LC
M36 x 4.0	11000*	23868LC	256.0	70.0	107.2	57.2	33.3	187 1/2	115	980	10.63	23268LC
M42 x 4.5	12500	23869LC	256.0	70.0	107.2	57.2	33.3	187 1/2	111.4	980	11.13	23269LC
M48 x 5.0	13500*	23847LC	256.0	90.0	107.2	57.2	33.3	187 1/2	107.4	980	12.05	23247LC

*Rated load may be reduced at 90° from vertical.

Lift Check™ SP2000™ Side-Pull Style



RED INDICATES
LOOSE



BLACK INDICATES
TIGHT

The Jergens SP2000™, Patented Lift Check™, Side-Pull Style Hoist Ring is ideal for flipping fixtures, dies and molds. The hoist ring is low profile and has a unique bolt retention design. The oversized forged bale easily adapts to larger hoist hooks. Its relatively light weight makes it easier to handle. This hoist ring assures that your application is secure and ready to lift. The Lift-Check™ is comprised of a Jergens' patented proprietary hex head cap screw which integrates the Visual Tension Indicator which confirms engagement – clearly illustrates whether bolt joint is loose or tight.

- **Material:** Alloy Steel
- **Finish:** Black Oxide
- **Washer:** Zinc Plated with Yellow Chromate Coating (Inch), Clear/Blue Conversion Coating (Metric)
- **Bail, Bolt, U-Channel, Spacer and Bushing** are Magnetic Particle Inspected
- **Rated at 5:1 Strength Factor**
- **Full 360° Swivel and 180° Pivot**
- **Conforms to ASME B30.26 and Mil-STD-209K**
- **Temperature variations may apply (-20°C to 75°C / -4°F to 168°F)**
- **No torque wrench or calibration required, thus reducing installation time**
- **The Lift-Check™ hoist ring visual tension indicator confirms engagement—clearly illustrates whether the bolted joint is loose or tight**
- **Hands-free inspection at a distance, prior to the lift**
- **Proof Tested to 200% of rated load capacity**
- **Available in inch and metric sizes**



Lift Check™ SP2000™ Side-Pull Style

Inch

Part Number	Load Capacity (lbs)	Thread Size A	B	C	D	E	F	G	H	I	J	K	L	M	N	O	Torque (ft.lbs)	Wt. (lbs)
47533LC	1,800	1/2-13	2 1/8	3/4	1 3/8	7/32	27/32	1/2	1 3/4	1 1/2	3 3/8	2	4 3/4	3/4	3/4	7/8	15	2
47534LC	2,500	5/8-11	2 3/16	15/16	1 3/8	7/32	27/32	1/2	1 3/4	1 1/2	3 3/8	2	4 3/4	15/16	3/4	7/8	25	2
47535LC	4,100	3/4-10	2 11/16	1 1/8	1 7/8	5/16	1 1/16	5/8	2 1/4	2	4	2 5/8	5 11/16	1 1/8	1	1 1/8	50	4.5
47536LC	7,100	1-8	2 7/8	1 1/2	1 7/8	5/16	1 1/16	5/8	2 1/4	2	4	2 5/8	5 11/16	1 1/2	1	1 1/8	130	5
47537LC	14,000	1 1/4-7	5 5/16	1 7/8	3 1/4	7/16	2 5/32	1 1/16	3 3/4	3	7 11/16	4 3/8	10 7/16	1 7/8	1 15/16	1 7/8	150	25.5
47538LC	17,200	1 1/2-6	5 3/8	2 1/4	3 1/4	7/16	2 5/32	1 1/16	3 3/4	3	7 11/16	4 3/8	10 7/16	2 1/4	1 15/16	1 7/8	250	26.5
47539LC	27,500	2-4 1/2	5 3/4	3 1/8	3 1/4	7/16	2 5/32	1 1/16	3 3/4	3	7 11/16	4 3/8	10 7/16	3	1 15/16	1 7/8	300	30

Metric

Part Number	Load Capacity (kg)	Thread Size A	B	C	D	E	F	G	H	I	J	K	L	M	N	O	Torque (Nm)	Wt. (kg)
47583LC	725	M12 x 1.75	52	18	35	6	22	13	44	38	86	51	120	18	19	22	20	1
47584LC	1,400	M16 x 2.0	54	24	35	6	22	13	44	38	86	51	120	24	19	22	40	1
47585LC	2,290	M20 x 2.5	67	30	48	8	27	16	57	51	102	67	145	30	25	29	70	2
47586LC	3,050	M24 x 3.0	70	36	48	8	27	16	57	51	102	67	145	36	25	29	140	2
47587LC	4,850	M30 x 3.5	130	45	83	11	55	27	95	76	196	111	265	46	49	48	350	11.5
47588LC	7,500	M36 x 4.0	133	54	83	11	55	27	95	76	196	111	265	55	49	48	550	12
47591LC	8,700	M42 x 4.5	137	65	83	11	55	27	95	76	196	111	265	65	49	48	800	12.5
47589LC	10,000	M48 x 5.0	143	70	83	11	55	27	95	76	196	111	265	75	49	48	1200	13

Envirolox™ Protective Finish



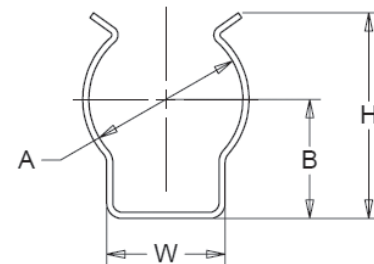
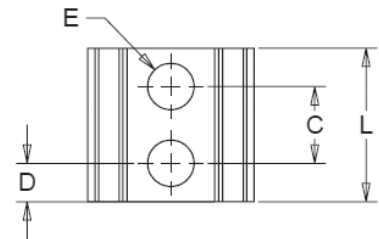
The Envirolox™ Protective Finish is a *proprietary nickel based coating that helps to prevent rusting and other environmental hazards from affecting Jergens Hoist Rings.* This coating does not contain cadmium or chromium, is *environmentally friendly*, and is proven to be *effective in extreme conditions*. It provides surface hardness, lubricity and more effective corrosion protection than paints. Envirolox™ Protective Finish is available on Jergens Center-Pull and Side-Pull Style Hoist Rings. It is not recommended for the Swivel Eyebolt or the SP 2000 products.

- Available on Center-Pull and Side-Pull Traditional Style (See pages 16-17 and 23 for part numbers.)
- Available upon request for other selected Jergens lifting products.
- Added resistance to rusting.
- Environmentally safe.

Hoist Ring Hold Down Clips

Two or more Hoist Ring Hold Down Clips should be used to prevent ring movement when the hoist ring is not in use. These simple spring steel clips prevent ring movement, provide an additional safety feature when used around machine tools and give a neat finished appearance.

- Material: Spring, Steel
- Finish: Cadmium or Zinc



Clip Part Number	Diameter A	B	C	D	E	H	W	L
*47331	3/8	.330	-	.250	.125	.575	.320	.500
47332	1/2	.388	.250	.125	.151	.712	.385	.500
47333	5/8	.450	.250	.125	.151	.832	.385	.500
47334	3/4	.513	.312	.156	.151	1.000	.385	.625
47335	1	.683	.312	.188	.188	1.133	.510	.687
47336	1 1/4	.750	.625	.187	.162	1.370	1.330	1.000
47337	1 3/8	.880	.312	.188	.188	1.439	.510	.688
47338	1 7/16	.850	.937	.312	.103	1.560	1.560	1.500
47339	1 3/4	1.070	.312	.188	.130	1.830	.780	.688

*One bolt hole only

Bolt Replacement Kits

Traditional Center-Pull

Bolt Replacement Kits - Inch Threads

Black Oxide Hoist Rings			Envirolox™ Coated			
Standard U-Bar Part No.	Long U-Bar Part No.	Bolt Kit Part No.	Std. U-Bar Part No.	Long U-Bar Part No.	Bolt Kit Part No.	Kit Wt. (lbs)
23404	-	23604	23304	-	23604-E	
23405	-	23605	23305	-	23605-E	
23406	-	23606	23306	-	23606-E	.03
23408	-	23608	23308	-	23608-E	.05
23410	-	23610	23310	-	23610-E	.16
23411	23511	23611	23311	23511-E	23611-E	.14
23412	23512	23612	23312	23512-E	23612-E	.16
23413	23513	23613	23313	23513-E	23613-E	.17
23414	23514	23614	23314	23514-E	23614-E	.27
23415	23515	23615	23315	23515-E	23615-E	.29
23416	23516	23616	23316	23516-E	23616-E	
23417	23517	23617	23317	23517-E	23617-E	.40
23418	23518	23618	23318	23518-E	23618-E	.46
23420	23520	23620	23320	23520-E	23620-E	.46
23421	23521	23621	23321	23521-E	23621-E	.52
23423	23523	23623	23323	23523-E	23623-E	.62
23424	23524	23624	23324	23524-E	23624-E	.66
23425	23525	23625	23325	23525-E	23625-E	.92
23426	23526	23626	23326	23526-E	23626-E	.97
23427	23527	23627	23327	23527-E	23627-E	1.13
23429	-	23629	23329	-	23629-E	2.90
23429-08	-	23629-08	23329-08	-	23329-08E	2.90
23433	-	23633	23333	-	23633-E	3.50
23433-08	-	23633-08	23333-08	-	23333-08E	3.50
23435	-	23635	23335	-	23635-E	7.30
23435-08	-	23635-08	23335-08	-	23335-08E	7.30
23438	-	23638	23338	-	23638-E	15.66
23438-08	-	23638-08	23338-08	-	23338-08E	15.96

Bolt Replacement Kits - Metric Threads

Black Oxide Hoist Rings			Envirolox™ Coated			
Standard U-Bar Part No.	Long U-Bar Part No.	Bolt Kit Part No.	Std. U-Bar Part No.	Long U-Bar Part No.	Bolt Kit Part No.	Kit Wt. (kg)
23455	-	23655	-	-	23655-E	.02
23456	-	23656	23356	-	23656-E	.02
23458	-	23658	23358	-	23658-E	.03
23462	23562	23662	23362	23562-E	23662-E	.06
23465	23565	23665	23365	23565-E	23665-E	.12
23468	23568	23668	23368	23568-E	23668-E	.21
23471	23571	23671	23371	23571-E	23671-E	.23
23474	23574	23674	23374	23574-E	23674-E	.40
23478	-	23678	23378	-	23678-E	.79
23479	-	23679	23379	-	23679-E	.91
23483	-	23683	23383	-	23683-E	1.52
23484	-	23684	23384	-	23684-E	2.75
23485	-	23685	23385	-	23685-E	3.27
23488	-	23688	23388	-	23688-E	7.12

Bolt Kits contain bolt and retaining ring.

- See page 14 for Hoist Ring hold down clips.

Traditional Side-Pull

Inch Threads

Hoist Ring Part No.	Bolt Kit Part No.	Envirolox™ Bolt Kit Part No.	Thread Size	Wt. (lbs)
47311	47341	47341-E	5/16-18	0.05
47312	47342	47342-E	3/8-16	0.06
47313	47343	47343-E	1/2-13	0.17
47314	47344	47344-E	5/8-11	0.28
47315	47345	47345-E	3/4-10	0.59
47316	47346	47346-E	1-8	1.27
47317	47347	47347-E	1 1/4-7	2.5
47317-08	47347-08	-	1 1/4-8	2.5
47318	47348	47348-E	1 1/2-6	4.7
47318-08	47348-08	-	1 1/2-8	4.7
47319	47349	47349-E	2-4 1/2	9.5
47319-08	47349-08	-	2-8	9.5

Metric Threads

Hoist Ring Part No.	Bolt Kit Part No.	Envirolox™ Bolt Kit Part No.	Thread Size	Wt. (kg)
47351	47391	47391-E	M 8	0.02
47352	47392	47392-E	M 10	0.03
47353	47393	47393-E	M 12	0.07
47354	47394	47394-E	M 16	0.14
47355	47395	47395-E	M 20	0.32
47356	47396	47396-E	M 24	0.53
47357	47397	47397-E	M 30	1.03
47358	47398	47398-E	M 36	2

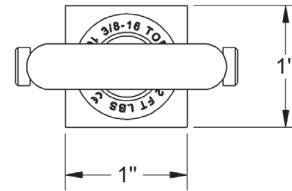
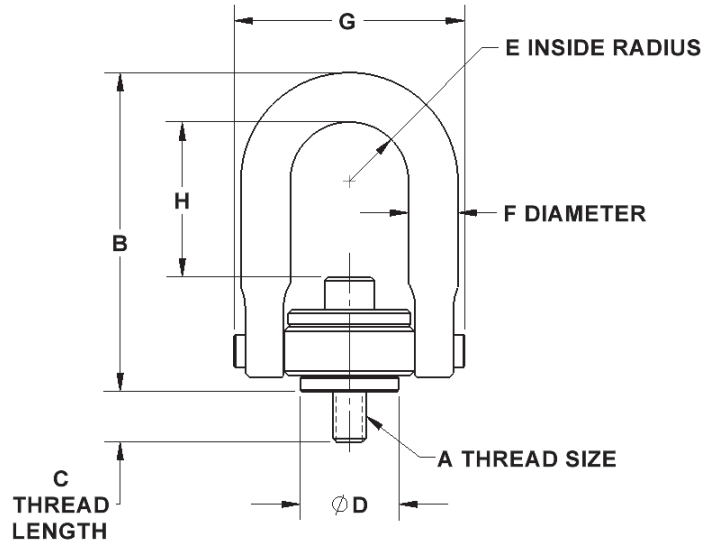
Bolt Kits contain bolt and retaining ring.

Bolt Kits with -E are for use with Envirolox™ Hoist Rings.

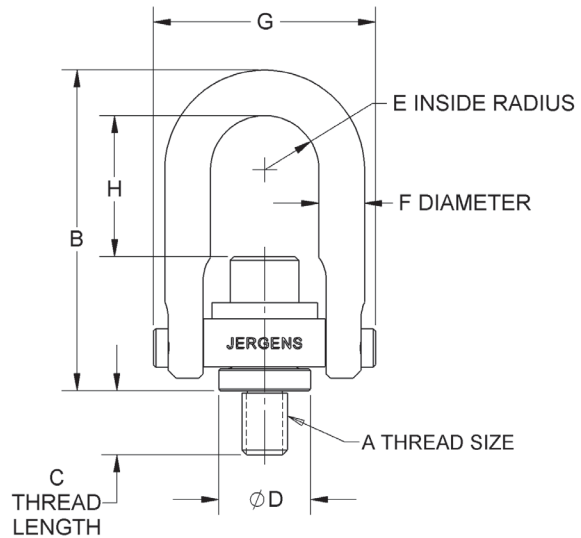
- See page 14 for Hoist Ring hold down clips.



Center-Pull Traditional Style



†Square Base



- Full 360° Swivel and 180° Pivot Action
- Rated at 5:1 Strength Factor
- Material: Alloy Steel
- Finish: Black Oxide (Except Washer)
- U-Bar, Bolt, Pins, Base, Washer and Bushing are Magnetic Particle Inspected
- Washer: Zinc Plated with Gold Colored (Inch), Clear/Blue (Metric) Conversion Coating
- Proof Tested to 200% of Rated Load Capacity
- Certificate of Proof Test provided (See sample on page 35)
- 3D Solid Models available in multiple formats from www.jergensinc.com
- Available with Envirolox™ protective finish See page 14 for more information
- Conforms to ASME B30.26 and MIL-STD-209K



Center-Pull Traditional Style Inch

Thread Size A	Load ¹ Capacity (lbs)	Black Oxide				Envirolox™ Protected Coating				Thread length C	D	E	F	G	Std U-Bar H	Long U-Bar H	Torque ² (ft. lbs)	Wt (lbs)
		Standard U-Bar		Long U-Bar		Standard U-Bar		Long U-Bar										
		Part Number	B	Part Number	B	Part Number ³	B	Part Number	B									
1/4-20	550	23404†	2.67	-	-	23304†	2.67	-	-	1/2	.75	.43	.38	1.84	1 5/16	-	5	.3
5/16-18	800	23406†	2.67	-	-	23306†	2.67	-	-	9/16	.75	.43	.38	1.84	1 1/4	-	7	.3
3/8-16	1000	23408†	2.67	-	-	23308†	2.67	-	-	9/16	.75	.43	.38	1.84	1 1/4	-	12	.3
1/2-13	2500*	23410	3.75	-	-	23310	3.75	-	-	1 1/16	1.20	.69	.50	2.56	1 25/32	-	28	1.0
1/2-13	2500	23411	4.84	23511	6.72	23311	4.84	23511-E	6.72	3/4	1.50	.88	.75	3.52	2 3/8	4 1/4	28	2.5
1/2-13	2500	23412	4.84	23512	6.72	23312	4.84	23512-E	6.72	1	1.50	.88	.75	3.52	2 3/8	4 1/4	28	2.5
1/2-13	2500	23413	4.84	23513	6.72	23313	4.84	23513-E	6.72	1 1/4	1.50	.88	.75	3.52	2 3/8	4 1/4	28	2.5
5/8-11	4000*	23414	4.84	23514	6.72	23314	4.84	23514-E	6.72	1	1.50	.88	.75	3.52	2 1/4	4 3/16	60	2.7
5/8-11	4000*	23415	4.84	23515	6.72	23315	4.84	23515-E	6.72	1 1/4	1.50	.88	.75	3.52	2 1/4	4 3/16	60	2.7
5/8-11	4000*	23416	4.84	23516	6.72	23316	4.84	23516-E	6.72	3/4	1.50	.88	.75	3.52	2 1/4	4 3/16	60	2.7
3/4-10	5000	23417	4.84	23517	6.72	23317	4.84	23517-E	6.72	1	1.50	.88	.75	3.52	2 1/8	4	100	3.0
3/4-10	5000	23418	4.84	23518	6.72	23318	4.84	23518-E	6.72	1 1/2	1.50	.88	.75	3.52	2 1/8	4	100	3.0
3/4-10	7000*	23420	6.42	23520	8.11	23320	6.42	23520-E	8.11	1	2.31	1.40	1.00	5.14	2 15/16	4	100	7.0
3/4-10	7000*	23421	6.42	23521	8.11	23321	6.42	23521-E	8.11	1 1/2	2.31	1.40	1.00	5.14	2 15/16	4	100	7.0
7/8-9	8000	23423	6.42	23523	8.11	23323	6.42	23523-E	8.11	1	2.31	1.40	1.00	5.14	2 13/16	4 3/8	160	7.0
7/8-9	8000	23424	6.42	23524	8.11	23324	6.42	23524-E	8.11	1 1/4	2.31	1.40	1.00	5.14	2 13/16	4 3/8	160	7.0
1-8	10000	23425	6.42	23525	8.11	23325	6.42	23525-E	8.11	1 1/4	2.31	1.40	1.00	5.14	2 11/16	4 3/8	230	7.5
1-8	10000	23426	6.42	23526	8.11	23326	6.42	23526-E	8.11	1 1/2	2.31	1.40	1.00	5.14	2 11/16	4 3/8	230	7.5
1-8	10000	23427	6.42	23527	8.11	23327	6.42	23527-E	8.11	2 1/4	2.31	1.40	1.00	5.14	2 11/16	4 3/8	230	7.5
1 1/4-7	15000	23429	8.73	-	-	23329	8.73	-	-	1 7/8	3.19	1.75	1.25	6.50	4 1/4	-	470	14
1 1/4-8	15000	23429-08	8.73	-	-	23329-08	8.73	-	-	1 7/8	3.19	1.75	1.25	6.50	4 1/4	-	470	14
1 1/2-6	24000	23433	12.54	-	-	23333	12.47	-	-	2 3/4	4.19	2.25	1.75	8.55	6 1/2	-	800	33
1 1/2-8	24000	23433-08	12.54	-	-	23333-08	12.47	-	-	2 3/4	4.19	2.25	1.75	8.55	6 1/2	-	800	33
2-4 1/2	30000	23435	12.54	-	-	23335	12.47	-	-	3 1/8	4.19	2.25	1.75	8.55	6	-	1100	36
2-8	30000	23435-08	12.54	-	-	23335-08	12.47	-	-	3 1/8	4.19	2.25	1.75	8.55	6	-	1100	36
2 1/2-4	50000	23438	16.50	-	-	23338	16.50	-	-	4	5.75	3	2.25	11.72	8 1/4	-	2100	89
2 1/2-8	50000	23438-08	16.50	-	-	23338-08	16.50	-	-	4	5.75	3	2.25	11.72	8 1/4	-	2100	89

Metric

Thread Size A	Load ¹ Capacity (kg)	Black Oxide				Envirolox™ Protected Coating				Thread length C	D	E	F	G	Std U-Bar H	Long U-Bar H	Torque ² (Nm)	Wt. (kg)
		Standard U-Bar		Long U-Bar		Standard U-Bar		Long U-Bar										
		Part Number	B	Part Number	B	Part Number	B	Part Number ³	B									
M6 x 1.0	200	23455†	67.8	-	-	23355†	67.8	-	-	12.0	19.0	10.9	9.7	46.7	34.0	-	6	0.17
M8 x 1.25	400	23456†	67.8	-	-	23356†	67.8	-	-	12.5	19.0	10.9	9.7	46.7	32.0	-	10	0.17
M10 x 1.50	450	23458†	67.8	-	-	23358†	67.8	-	-	17.5	19.0	10.9	9.7	46.7	30.0	-	17	0.17
M12 x 1.75	1050	23462	123.0	23562	170.7	23362	123.0	23562-E	170.7	19.0	38.1	22.4	19.0	89.4	60.5	108	37	1.1
M16 x 2.0	1900*	23465	123.0	23565	170.7	23365	123.0	23565-E	170.7	29.0	38.1	22.4	19.0	89.4	56.5	106	80	1.1
M20 x 2.5	2150*	23468	123.0	23568	170.7	23368	123.0	23568-E	170.7	34.0	38.1	22.4	19.0	89.4	52.5	101*	135	1.2
M20 x 2.5	3000*	23471	163.0	23571	203.0	23371	163.0	23571-E	203.0	32.0	58.7	35.6	25.4	130.6	73.0	113	135	3.0
M24 x 3.0	4200*	23474	163.0	23574	203.0	23374	163.0	23574-E	203.0	37.0	58.7	35.6	25.4	130.6	69.0	109	305	3.1
M30 x 3.5	7000	23478	221.7	-	-	23378	221.7	-	-	46.0	81.0	44.5	31.7	165.1	107.4	-	590	6.3
M30 x 3.5	7000	23479	221.7	-	-	23379	221.7	-	-	66.0	81.0	44.5	31.7	165.1	107.4	-	590	6.4
M36 x 4.0	11000*	23483	318.5	-	-	23383	318.5	-	-	68.0	106.4	57.2	44.4	217.2	166.5	-	980	15.5
M42 x 4.5	12500	23484	318.5	-	-	23384	318.5	-	-	68.0	106.4	57.2	44.4	217.2	160.5	-	980	16.0
M48 x 5.0	13500	23485	318.5	-	-	23385	318.5	-	-	88.0	106.4	57.2	44.4	217.2	154.5	-	980	16.8
M64 x 6.0	22500	23488	419.1	-	-	23388	419.1	-	-	96.0	146.0	76.2	57.1	297.6	210.0	-	2845	40.0

¹Stated load capacity based on recommended thread torques as shown in chart.

²It is recommended that these torques be used when installing hoist rings.

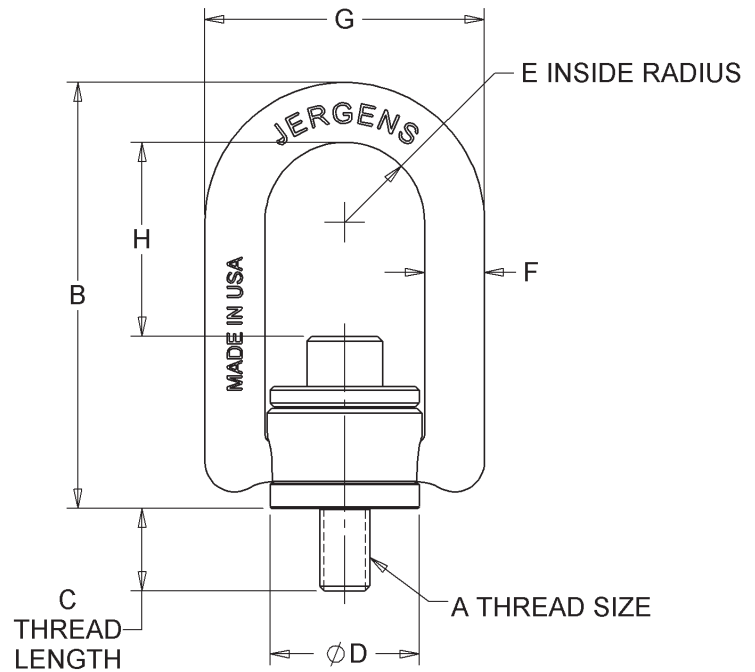
³Available from stock as Standard Clevis.

*Rated load may be reduced at 90° from vertical.

†Square base.

Replacement Bolt Kits on Page 15

Open Bail Forged Center Pull Style



For a better value in a domestically forged, high strength, alloy steel hoist ring, Jergens Lifting Solutions introduces our NEW Forged Center Pull Hoist Rings. Its compact construction, high quality and safety features delivers tremendous value in the field. Forged Hoist Rings are ideal for OEM and Industrial use.

- Full 360° Swivel and 180° Pivot Action
- Rated at 5:1 Strength Factor
- Material: Alloy Steel
- Finish: Black Oxide (Except Washer)
- Available in Inch and Metric sizes
- Washer: Zinc Plated With Yellow Chromate Coating (Inch), Clear/Blue Conversion Coating (Metric)
- Magnetic Particle Inspected
- Proof Tested to 200% of Rated Load Capacity
- Certificate of Proof Test Provided
- Multi-Lingual Installation Sheet
- 3D Solid Models available in multiple formats from www.jergensinc.com
- Conforms to ASME B30.26 and MIL-STD-209K
- CE Certified



Open Bail Forged Center Pull Style

Inch

Thread Size A	Load ¹ Capacity (lbs)	Part Number	B	Thread Length C	D	E	F	G	H	Torque ² (ft. lbs)	Wt. (lbs)	Bolt Replacement Kit
1/4-20	550	23870	3.23	9/16	1.21	0.65	0.44	2.30	1 9/16	5	0.54	23270
5/16-18	800	23872	3.23	9/16	1.21	0.65	0.44	2.30	1 17/32	7	0.55	23272
3/8-16	1000	23873	3.23	9/16	1.21	0.65	0.44	2.30	1 15/32	12	0.57	23273
1/2-13	2500	23875	5.34	3/4	1.87	1.00	0.75	3.50	2 9/16	28	2.4	23275
1/2-13	2500	23876	5.34	1	1.87	1.00	0.75	3.50	2 9/16	28	2.4	23276
1/2-13	2500	23877	5.34	1 1/4	1.87	1.00	0.75	3.50	2 9/16	28	2.4	23277
5/8-11	4000*	23878	5.34	3/4	1.87	1.00	0.75	3.50	2 7/16	60	2.5	23278
5/8-11	4000*	23879	5.34	1	1.87	1.00	0.75	3.50	2 7/16	60	2.5	23279
5/8-11	4000*	23880	5.34	1 1/4	1.87	1.00	0.75	3.50	2 7/16	60	2.5	23280
3/4-10	5000	23881	5.34	1	1.87	1.00	0.75	3.50	2 5/16	100	2.7	23281
3/4-10	5000	23882	5.34	1 1/2	1.87	1.00	0.75	3.50	2 5/16	100	2.7	23282
3/4-10	7000*	23883	7.40	1	2.88	1.50	1.00	5.26	3 1/2	100	7.6	23283
3/4-10	7000*	23884	7.40	1 1/2	2.88	1.50	1.00	5.26	3 1/2	100	7.6	23284
7/8-9	8000	23885	7.40	1	2.88	1.50	1.00	5.26	3 3/8	160	7.9	23285
7/8-9	8000	23886	7.40	1 1/4	2.88	1.50	1.00	5.26	3 3/8	160	7.9	23286
1-8	10000	23887	7.40	1 1/4	2.88	1.50	1.00	5.26	3 1/4	230	8.2	23287
1-8	10000	23888	7.40	1 1/2	2.88	1.50	1.00	5.26	3 1/4	230	8.2	23288
1-8	10000	23889	7.40	2 1/4	2.88	1.50	1.00	5.26	3 1/4	230	8.2	23289
1 1/4-7	15000	23890	10.08	1 7/8	4.22	2.25	1.31	7.38	4 3/16	470	22.7	23290
1 1/4-8	15000	23890-08	10.08	1 7/8	4.22	2.25	1.31	7.38	4 3/16	470	22.7	23290-08
1 1/2-6	24000*	23892	10.08	2 7/8	4.22	2.25	1.31	7.38	3 15/16	800	24.1	23292
1 1/2-8	24000*	23892-08	10.08	2 7/8	4.22	2.25	1.31	7.38	3 15/16	800	24.1	23292-08
2-4 1/2	30000	23894	10.08	2 7/8	4.22	2.25	1.31	7.38	3 7/16	1100	27.1	23294
2-8	30000	23894-08	10.08	2 7/8	4.22	2.25	1.31	7.38	3 7/16	1100	27.1	23294-08

¹Stated load capacity based on recommended thread torques as shown in chart.

²It is recommended that these torques be used when installing hoist rings.

*Rated load may be reduced at 90° from vertical.

Metric

Thread Size A	Load ¹ Capacity (kg)	Part Number	B	Thread Length C	D	E	F	G	H	Torque ² (Nm)	Wt. (kg)	Bolt Replacement Kit
M6 x 1.0	200	23850	82.0	16.0	30.7	16.5	11.1	58 2/5	40	6	0.24	23250
M8 x 1.25	400	23851	82.0	16.0	30.7	16.5	11.1	58 2/5	38	10	0.25	23251
M10 x 1.5	450	23852	82.0	21.0	30.7	16.5	11.1	58 2/5	37	17	0.26	23252
M12 x 1.75	1050	23854	135.6	25.0	47.5	25.4	19.1	88 9/10	65	37	1.08	23254
M14 x 2.0	1500	23856	135.6	25.0	47.5	25.4	19.1	88 9/10	64	45	1.11	23256
M16 x 2.0	1900	23858	135.6	25.0	47.5	25.4	19.1	88 9/10	62	80	1.14	23258
M16 x 2.0	1900*	23859	135.6	32.0	47.5	25.4	19.1	88 9/10	62	80	1.14	23259
M20 x 2.5	2150	23860	135.6	25.0	47.5	25.4	19.1	88 9/10	58	135	1.21	23260
M20 x 2.5	3000	23862	188.0	28.0	73.2	38.1	25.4	133 3/5	88	135	3.44	23262
M24 x 3.0	4200	23864	188.0	38.0	73.2	38.1	25.4	133 3/5	84	305	3.57	23264
M30 x 3.5	4500	23866	188.0	48.0	73.2	38.1	25.4	133 3/5	78	305	3.87	23266
M30 x 3.5	7000*	23867	256.0	60.0	107.2	57.2	33.3	187 1/2	108	590	10.26	23267
M36 x 4.0	11000*	23868	256.0	70.0	107.2	57.2	33.3	187 1/2	102	980	10.72	23268
M42 x 4.5	12500	23869	256.0	70.0	107.2	57.2	33.3	187 1/2	96	980	11.23	23269
M48 x 5.0	13500*	23847	256.0	90.0	107.2	57.2	33.3	187 1/2	90	980	12.13	23247

¹Stated load capacity based on recommended thread torques as shown in chart.

²It is recommended that these torques be used when installing hoist rings.

* Rated load may be reduced at 90° from vertical.

Closed Bail Forged Center Pull Style



U.S. Patent No. 6,652,012

Our Forged Center Pull Hoist Ring integrates a solid center brace lift bail into our most popular style product. This design eliminates the possibility of spreading the lift ring in misapplications. Forged hoist rings are ideal for OEM and industrial use.

- **Material: Alloy Steel**
- **Full (over center) 360° swivel and 180° pivot action**
- **Capacities up to 30,000 lbs.**
- **Inch and metric**
- **5:1 strength factor**
- **Proof tested to 200% of rated load capacity**
- **Available in 17-4PH Stainless Steel (up to 5,000 lbs/2,150 kgs.) See page 22**
- **Made in U.S.A.**
- **3D Solid Models available in multiple formats from www.jergensinc.com**
- **400°F (204°C) to -20°F (-28°C)**
- **Magnetic particle inspected**
- **Replaces Stationary Eyebolt**
- **Lifting Tooling Columns & Large Fixtures**
- **OEM Applications**
- **Lifting Die & Molds**

Ring Bail

Part Numbers:

23906 thru 23918 (Inch)

23956 thru 23968 (Metric)

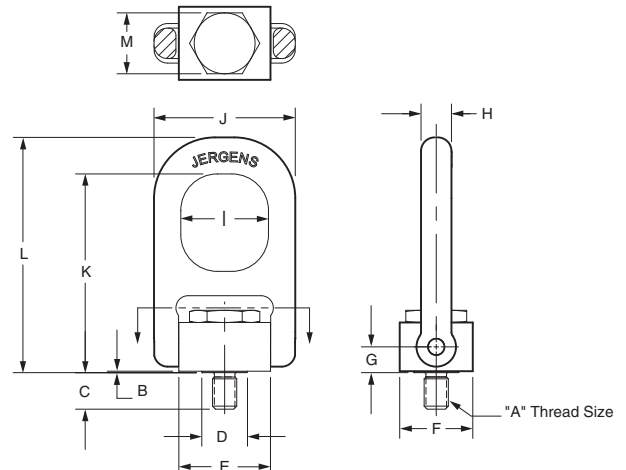
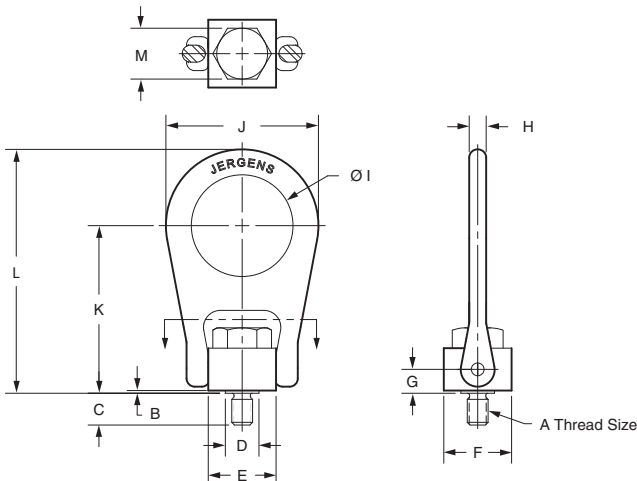


Large Bail

Part Numbers:

23926 thru 23936 (Inch)

23974 thru 23987 (Metric)



Closed Bail Forged Center Pull Style

Inch

Part Number	Load Capacity (lbs)	Thread Size A	B	C	D	E	F	G	H	I	J	K	L	Hex Size M	Torque (ft. lbs)	Weight (lbs)
23906	800	5/16-18	3/64	15/32	1/2	1	1	11/32	1/4	1 1/2	2 1/4	2 15/32	3 19/32	3/4	7	0.6
23907	800	5/16-18	3/64	5/8	1/2	1	1	11/32	1/4	1 1/2	2 1/4	2 15/32	3 19/32	3/4	7	0.6
23908	1000	3/8-16	3/64	9/16	1/2	1	1	11/32	1/4	1 1/2	2 1/4	2 15/32	3 19/32	3/4	12	0.6
23909	1000	3/8-16	3/64	3/4	1/2	1	1	11/32	1/4	1 1/2	2 1/4	2 15/32	3 19/32	3/4	12	0.6
23910	2500	1/2-13	1/16	11/16	1	2	1 1/2	9/16	3/4	3	4 7/16	4	6 3/8	1 1/4	28	3.6
23911	2500	1/2-13	1/16	1	1	2	1 1/2	9/16	3/4	3	4 7/16	4	6 3/8	1 1/4	28	3.6
23914	4000*	5/8-11	1/16	15/16	1	2	1 1/2	9/16	3/4	3	4 7/16	4	6 3/8	1 1/4	60	3.6
23915	4000*	5/8-11	1/16	1 1/4	1	2	1 1/2	9/16	3/4	3	4 7/16	4	6 3/8	1 1/4	60	3.6
23917	5000	3/4-10	1/16	1 1/8	1	2	1 1/2	9/16	3/4	3	4 7/16	4	6 3/8	1 1/4	100	3.6
23918	5000	3/4-10	1/16	1 1/2	1	2	1 1/2	9/16	3/4	3	4 7/16	4	6 3/8	1 1/4	100	3.6
†23926	10000	1-8	1/16	1 1/2	1 7/8	3 25/32	3	1 1/16	1 1/4	3 19/32	5 13/16	8 5/32	9 21/32	2 1/2	230	15.7
†23927	10000	1-8	1/16	2	1 7/8	3 25/32	3	1 1/16	1 1/4	3 19/32	5 13/16	8 5/32	9 21/32	2 1/2	230	15.9
†23929	15000	1 1/4-7	1/16	1 7/8	1 7/8	3 25/32	3	1 1/16	1 1/4	3 19/32	5 13/16	8 5/32	9 21/32	2 1/2	470	16
†23930	15000	1 1/4-7	1/16	2 1/2	1 7/8	3 25/32	3	1 1/16	1 1/4	3 19/32	5 13/16	8 5/32	9 21/32	2 1/2	470	16.2
†23933	24000	1 1/2-6	7/64	2 1/4	2 1/2	4 7/8	4 1/2	1 7/16	1 3/4	4 1/2	7 23/32	11 7/16	13 27/32	3 1/4	800	42.3
†23934	24000	1 1/2-6	7/64	3	2 1/2	4 7/8	4 1/2	1 7/16	1 3/4	4 1/2	7 23/32	11 7/16	13 27/32	3 1/4	800	42.7
†23935	30000	2-4 1/2	7/64	3	2 1/2	4 7/8	4 1/2	1 7/16	1 3/4	4 1/2	7 23/32	11 7/16	13 27/32	3 1/4	800	43.8
†23936	30000	2-4 1/2	7/64	4	2 1/2	4 7/8	4 1/2	1 7/16	1 3/4	4 1/2	7 23/32	11 7/16	13 27/32	3 1/4	800	44.7

*Rated load may be reduced at 90° from vertical.

†Denotes Large Bail

Metric

Part Number	Load Capacity (kg)	Thread Size A	B	C	D	E	F	G	H	I	J	K	L	Hex Size M	Torque (Nm)	Weight (kg)
23956	400	M8 x 1.25	1.2	12	12.7	25.4	25 2/5	8.7	6.3	38.1	57.2	62.7	91.3	19	10	0.27
23958	450	M10 x 1.5	1.2	15	12.7	25.4	25 2/5	8.7	6.3	38.1	57.2	62.7	91.3	19	17	0.27
23962	1050	M12 x 1.75	1.6	18	25.4	50.8	38 1/10	14.3	19	76.2	112.7	101.6	161.9	32	37	1.64
23965	1900	M16 x 2.0	1.6	24	25.4	50.8	38 1/10	14.3	19	76.2	112.7	101.6	161.9	32	80	1.64
23968	2150	M20 x 2.5	1.6	30	25.4	50.8	38 1/10	14.3	19	76.2	112.7	101.6	161.9	32	134	1.7
†23974	4200*	M24 x 3.0	1.6	35.7	47.6	96	76 1/5	27	31.7	91.3	147.6	207.2	245.3	63.5	305	7.1
†23975	4200	M24 x 3.0	1.6	47.6	47.6	96	76 1/5	27	31.7	91.3	147.6	207.2	245.3	63.5	305	7.2
†23978	7000*	M30 x 3.5	1.6	44.8	47.6	96	76 1/5	27	31.7	91.3	147.6	207.2	245.3	63.5	590	7.3
†23979	7000*	M30 x 3.5	1.6	60	47.6	96	76 1/5	27	31.7	91.3	147.6	207.2	245.3	63.5	590	7.4
†23982	11000	M36 x 4.0	2.8	53.6	63.5	123.8	114 3/10	36.5	44.5	114.3	196.1	290.5	351.6	82.55	960	19.1
†23983	11000	M36 x 4.0	2.8	71.4	63.5	123.8	114 3/10	36.5	44.5	114.3	196.1	290.5	351.6	82.55	960	19.3
†23984	12500	M42 x 4.5	2.8	62.7	63.5	123.8	114 3/10	36.5	44.5	114.3	196.1	290.5	351.6	82.55	980	19.4
†23985	12500	M42 x 4.5	2.8	83.3	63.5	123.8	114 3/10	36.5	44.5	114.3	196.1	290.5	351.6	82.55	980	19.6
†23986	13500	M48 x 5.0	2.8	71.4	63.5	123.8	114 2/7	36.5	44.5	114.3	196.1	290.5	351.6	82.55	980	19.7
†23987	13500	M48 x 5.0	2.8	95.3	63.5	123.8	114 2/7	36.5	44.5	114.3	196.1	290.5	351.6	82.55	980	20

*Rated load may be reduced at 90° from vertical.

†Denotes Large Bail.



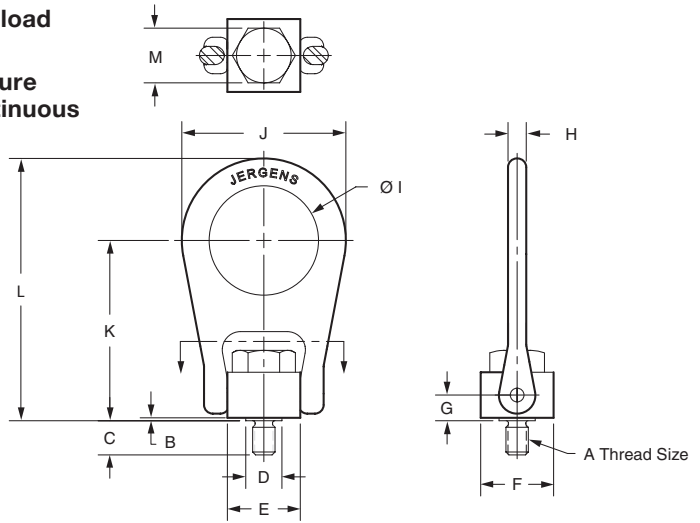
Closed Bail Forged Center Pull Style Stainless Steel

Our Forged Center Pull Hoist Ring integrates a solid center brace lift bail into our most popular style product. This design eliminates the possibility of spreading the lift ring in misapplications. Forged hoist rings are ideal for OEM and industrial use.



U.S. Patent No. 6,652,012

- **Material: 17-4PH**
- **Same strength/load capacity as steel**
- **Full (over center) 360° swivel and 180° pivot action**
- **Capacities up to 5,000 lbs.**
- **Inch and metric**
- **5:1 strength factor**
- **Proof tested to 200% of rated load capacity**
- **Maximum operating temperature 800°F Intermittent, 600°F continuous**
- **Made in U.S.A.**
- **3D Solid Models available in multiple formats from www.jergensinc.com**
- **Magnetic particle inspected**



Inch

Part Number	Load Capacity (lbs)	Thread Size A	B	C	D	E	F	G	H	I	J	K	L	Hex Size M	Torque (ft. lbs)	Weight (lbs)
23906-SS	800	5/16-18	3/64	15/32	1/2	1	1	11/32	1/4	1 1/2	2 1/4	2 15/32	3 19/32	3/4	7	0.6
23907-SS	800	5/16-18	3/64	5/8	1/2	1	1	11/32	1/4	1 1/2	2 1/4	2 15/32	3 19/32	3/4	7	0.6
23908-SS	1000	3/8-16	3/64	9/16	1/2	1	1	11/32	1/4	1 1/2	2 1/4	2 15/32	3 19/32	3/4	12	0.6
23909-SS	1000	3/8-16	3/64	3/4	1/2	1	1	11/32	1/4	1 1/2	2 1/4	2 15/32	3 19/32	3/4	12	0.6
23910-SS	2500	1/2-13	1/16	11/16	1	2	11/2	9/16	3/4	3	4 7/16	4	6 3/8	1 1/4	28	3.6
23911-SS	2500	1/2-13	1/16	1	1	2	11/2	9/16	3/4	3	4 7/16	4	6 3/8	1 1/4	28	3.6
23914-SS	4000	5/8-11	1/16	15/16	1	2	11/2	9/16	3/4	3	4 7/16	4	6 3/8	1 1/4	60	3.6
23915-SS	4000	5/8-11	1/16	11/4	1	2	11/2	9/16	3/4	3	4 7/16	4	6 3/8	1 1/4	60	3.6
23917-SS	5000	3/4-10	1/16	11/8	1	2	11/2	9/16	3/4	3	4 7/16	4	6 3/8	1 1/4	100	3.6
23918-SS	5000	3/4-10	1/16	11/2	1	2	11/2	9/16	3/4	3	4 7/16	4	6 3/8	1 1/4	100	3.6

Metric

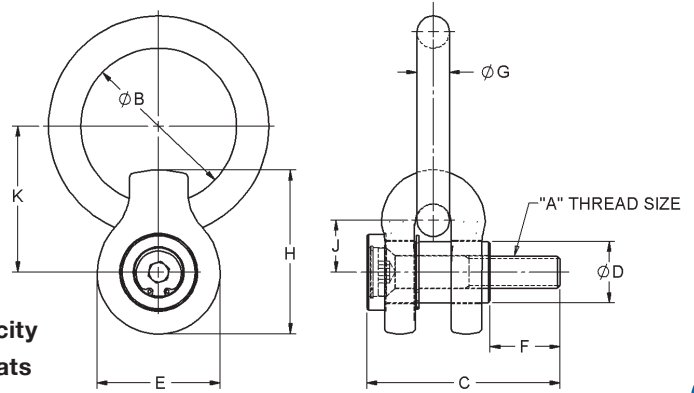
Part Number	Load Capacity (kg)	Thread Size A	B	C	D	E	F	G	H	I	J	K	L	Hex Size M	Torque (Nm)	Weight (kg)
23956-SS	400	M8 x 1.25	1.2	12	12.7	25.4	25.4	8 7/10	6.3	38.1	57.2	62.7	91.3	19	10	0.27
23958-SS	450	M10 x 1.5	1.2	15	12.7	25.4	25.4	8 7/10	6.3	38.1	57.2	62.7	91.3	19	17	0.27
23962-SS	1050	M12 x 1.75	1.6	18	25.4	50.8	38.1	14 3/10	19	76.2	112.7	101.6	161.9	32	37	1.64
23965-SS	1900	M16 x 2.0	1.6	24	25.4	50.8	38.1	14 3/10	19	76.2	112.7	101.6	161.9	32	80	1.64
23968-SS	2150	M20 x 2.5	1.6	30	25.4	50.8	38.1	14 3/10	19	76.2	112.7	101.6	161.9	32	134	1.7



Side-Pull Traditional Style Precision Cast Body



- Rated at 5:1 Strength Factor
- Material: Alloy Steel
- Clevis, Ring, Bushing and Cap Screw are magnetic particle inspected
- Clevis is X-rayed
- Finish: Black Oxide
- Proof Tested to 200% of Rated Load Capacity
- 3D Solid Models available in multiple formats from www.jergensinc.com
- Available with Envirolox™ protective finish See page 14 for more information
- Made in USA
- 400°F (204°C) to -20°F (-28°C)



360° swivel plus pivot point moves around bolt to provide greater clearances in side lifting and when lifting rotating objects.

Inch

Part Number	Envirolox™ Part Number	Load ¹ Capacity (lbs)	A	B	C	D	E	F	G	H	J	K	Torque ² (ft. lbs)	Wt. (lbs)	Bolt Kit	Envirolox™ Bolt Kit
47311	47311-E	650	5/16 - 18	2	2 - 1/8	11/16	1 - 1/2	5/8	3/8	2	5/8	1 - 13/16	3.5	.25	47341	47341-E
47312	47312-E	800	3/8 - 16	2	2 - 3/8	11/16	1 - 1/2	3/4	3/8	2	5/8	1 - 13/16	4.5	.25	47342	47342-E
47313	47313-E	1800	1/2 - 13	3	3 - 3/8	1 - 3/16	2 - 3/8	1	5/8	3 - 3/16	1	2 - 13/16	15	3.25	47343	47343-E
47314	47314-E	2500	5/8 - 11	3	3 - 5/8	1 - 3/16	2 - 3/8	1 - 1/4	5/8	3 - 3/16	1	2 - 13/16	25	3.25	47344	47344-E
47315	47315-E	4100	3/4 - 10	4	5	1 - 15/16	3 - 3/4	1 - 1/2	1	5	1 - 9/16	4 - 1/16	50	11.25	47345	47345-E
47316	47316-E	7100	1 - 8	4	5 - 3/8	1 - 15/16	3 - 3/4	2	1	5	1 - 9/16	4 - 1/16	90	11.50	47346	47346-E
47317	47317-E	14000	1 - 1/4 - 7	6	6 - 7/8	3	4 - 5/8	2	1 - 3/8	6 - 13/16	2 - 3/8	6 - 1/16	150	27.75	47347	47347-E
47317-08	-	14000	1 - 1/4 - 8	6	6 - 7/8	3	4 - 5/8	2	1 - 3/8	6 - 13/16	2 - 3/8	6 - 1/16	150	27.75	-	-
47318	47318-E	17200	1 - 1/2 - 6	6	7 - 3/8	3	4 - 5/8	2 - 1/2	1 - 3/8	6 - 13/16	2 - 3/8	6 - 1/16	250	31.50	47348	47348-E
47318-08	-	17200	1 - 1/2 - 8	6	7 - 3/8	3	4 - 5/8	2 - 1/2	1 - 3/8	6 - 13/16	2 - 3/8	6 - 1/16	250	31.50	-	-
*47319	47319-E	29000	2 - 4 1/2	5 - 1/4x10 - 1/2	10	3	4 - 5/8	3 - 1/8	1 - 1/2	6 - 13/16	2 - 3/8	10 - 5/8	300	42.00	47349	47349-E
*47319-08	-	29000	2 - 8	5 - 1/4x10 - 1/2	10	3	4 - 5/8	3 - 1/8	1 - 1/2	6 - 13/16	2 - 3/8	10 - 5/8	300	42.00	-	-

¹Stated load capacity based on specific thread torques as shown in chart.

²It is recommended that these torques be used when installing hoist rings.

*Ring is oblong.

Metric

Part Number	Envirolox™ Part Number	Load ¹ Capacity (kg)	A	B	C	D	E	F	G	H	J	K	Torque ² (Nm)	Bolt Kit	Envirolox™ Bolt Kit
47351	47351-E	325	M 8x1.25	50.8	61	17.4	38.1	16	9.5	50.8	15	46	4	47391	47391-E
47352	47352-E	500	M 10x1.50	50.8	63	17.4	38.1	20	9.5	50.8	15	46	6	47392	47392-E
47353	47353-E	725	M 12x1.75	76.2	85	30.1	60.3	24	15.9	81	25	71	20	47393	47393-E
47354	47354-E	1400	M 16x2.0	76.2	94	30.1	60.3	31	15.9	81	25	71	34	47394	47394-E
47355	47355-E	2290	M 20x2.5	101.6	133	48.4	95.3	40	25.4	125.4	39.5	103	70	47395	47395-E
47356	47356-E	3050	M 24x3.0	101.6	147	48.4	95.3	47	25.4	125.4	39.5	103	125	47396	47396-E
47357	47357-E	4850	M 30x3.5	152.0	173.8	76.2	43.6	43 3/5	31.7	173	60.3	154	340	47397	47397-E
47358	47358-E	7500	M 36 x 4.0	152.0	191	76.2	117.5	67 1/2	35	173	60.3	270	540	47398	47398-E

All dimensions are in millimeters.

¹Stated load capacity based on specific thread torques as shown in charts.

²It is recommended that these torques be used when installing hoist rings.



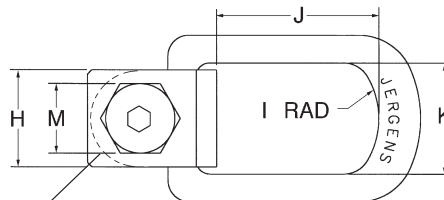
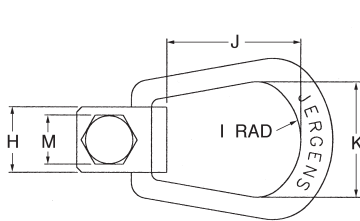
SP 2000™ Side-Pull Style



Patent Nos. 6,068,310 and 409, 895

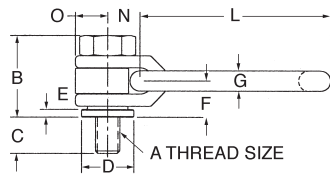
The Jergens SP2000 Side-Pull Style Hoist Ring is ideal for flipping fixtures, dies and molds. It swivels 360° and pivots around the center bolt providing the ring with greater clearances in side lifting applications and when lifting rotating objects. The hoist ring is low profile and has a unique bolt retention design. The oversized forged ring, and single piece forging, easily adapts to larger hoist hooks. Its relatively light weight makes it easier to handle than similar hoist rings and the installation is conveniently done with external wrenching (47531, 47532) or internal/external wrenching (all other sizes). All parts are made in the U.S.A.

- Can Be Used for Top Lifting as well as side lifting applications
- Full Swivel & Pivot Action
- Rated at 5:1 strength factor at any angle
- Material: Alloy Steel
- Finish: Black Oxide
- Proof Tested to 200% of Rated Load Capacity
- 3D Solid Models available in multiple formats from www.jergensinc.com
- Made in USA
- 400°F (204°C) to -20°F (-28°C)
- Magnetic particle inspected



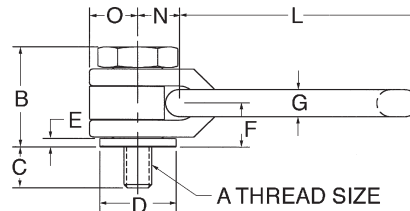
†For Inch Part Numbers: 47537, 47538, 47539

‡For Metric Part Numbers: 47587, 47588, 47591, 47589



External Wrench Mounting

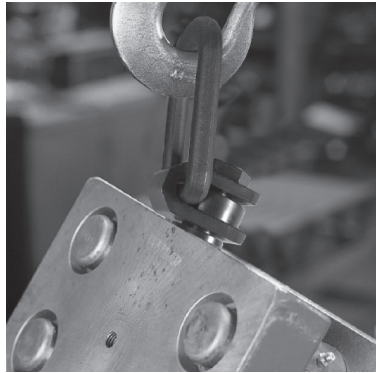
Inch Part Numbers: 47531 & 47532
Metric Part Numbers: 47581 & 47582



Internal/External Wrench Mounting

Inch Part Numbers: 47533 thru 47539
Metric Part Numbers: 47583 thru 47589, 47591



SP 2000™ Side-Pull Style

SIDE-PULL APPLICATION

TOP-PULL APPLICATION
Inch Threads (Includes Gold Colored Spacer)

Part Number	Load Capacity (lbs)	Thread Size A	B	C	D	E	F	G	H	I	J	K	L	M	N	O	Torque (ft. lbs)	Hex Size	Wt. (lbs)
47531	650*	5/16-18	1 9/32	15/32	13/16	1/8	9/16	5/16	1	1	2 1/16	1 3/4	3	3/4	1/2	1/2	4	–	.5
47532	800	3/8-16	1 9/32	5/8	13/16	1/8	9/16	5/16	1	1	2 1/16	1 3/4	3	3/4	1/2	1/2	5	–	.5
47533	1800	1/2-13	1 7/8	3/4	1 3/8	5/32	13/16	1/2	1 3/4	1 1/2	3 3/8	2	4 3/4	1 1/4	3/4	7/8	15	1/4	2
47534	2500	5/8-11	1 7/8	15/16	1 3/8	5/32	13/16	1/2	1 3/4	1 1/2	3 3/8	2	4 3/4	1 1/4	3/4	7/8	25	5/16	2
47535	4100	3/4-10	2 5/16	1 1/8	1 7/8	1/4	1 1/32	5/8	2 1/4	2	4	2 5/8	5 11/16	1 3/4	1	1 1/8	50	3/8	4
47536	7100	1-8	2 5/16	1 1/2	1 7/8	1/4	1 1/32	5/8	2 1/4	2	4	2 5/8	5 11/16	1 3/4	1	1 1/8	130	1/2	4.5
†47537	14000	1 1/4-7	4 9/16	1 7/8	3 1/4	23/64	2 5/32	1 1/16	3 3/4	3	7 11/16	4 3/8	10 7/16	3	1 15/16	1 7/8	150	3/4	24.50
†47538	17200	1 1/2-6	4 9/16	2 1/4	3 1/4	23/64	2 5/32	1 1/16	3 3/4	3	7 11/16	4 3/8	10 7/16	3	1 15/16	1 7/8	250	3/4	30
†47539	29000*	2-4 1/2	4 9/16	3	3 1/4	23/64	2 5/32	1 1/16	3 3/4	3	7 11/16	4 3/8	10 7/16	3	1 15/16	1 7/8	300	3/4	26.50

*Rated load may be reduced at 90° from vertical.

Metric Threads (Includes Blue Colored Spacer)

Part Number	Load Capacity (kg)	Thread Size A	B	C	D	E	F	G	H	I	J	K	L	M	N	O	Torque (Nm)	Hex Size	Wt. (kg)
47581	325	M8 x 1.25	33	16	21	3	14	8	25	25	52	44	76	19	13	13	5	–	0.25
47582	500	M10 x 1.5	33	20	21	3	14	8	25	25	52	44	76	19	13	13	10	–	0.25
47583	725	M12 x 1.75	48	24	35	4	21	13	44	38	86	51	120	32	19	22	20	6	1
47584	1400	M16 x 2	48	32	35	4	21	13	44	38	86	51	120	32	19	22	40	8	1
47585	2290*	M20 x 2.5	59	40	48	6	26	16	57	51	102	67	145	44	25	29	70	10	2
47586	3050	M24 x 3	59	48	48	6	26	16	57	51	102	67	145	44	25	29	140	12	2
‡47587	4850	M30 x 3.5	117	60	83	9	52	27	95	76	196	111	265	76	49	48	350	41.3	11.1
‡47588	7500	M36 x 4	117	72	83	9	52	27	95	76	196	111	265	76	49	48	550	41.3	11.3
‡47591	8700	M42 x 4.5	117	84	83	9	52	27	95	76	196	111	265	76	49	48	800	41.3	11.8
‡47589	10000	M48 x 5	122	96	83	9	52	27	95	76	196	111	265	80	49	48	1200	41.3	12.5

All dimensions are in millimeters.

*Rated load may be reduced at 90° from vertical.

Side Swivel Style

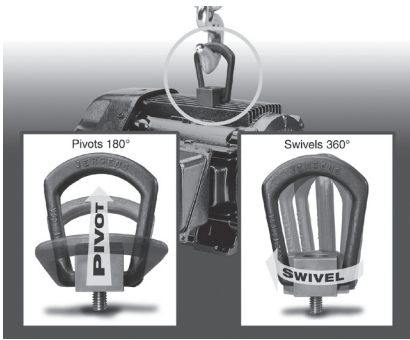


U.S. Patent No. 6,443,514

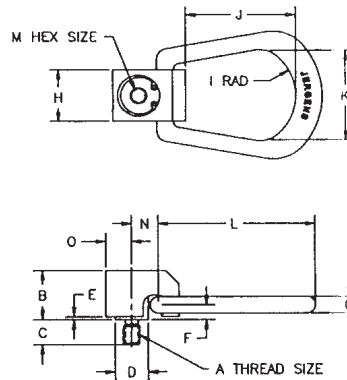
Jergens new Side Swivel™ Lifting Ring is designed specifically for OEM type applications. It replaces potentially dangerous eyebolts on commercial, military, and industrial lifts requiring full swivel and pivoting action.

- 5:1 strength factor
- Unique 3 piece design
- Made in U.S.A.
- Capacities up to 4100 lbs.
- Inch and metric
- OEM Pricing
- 3D Solid Models available in multiple formats from www.jergensinc.com
- Material: Alloy Steel
- 400°F (204°C) to -20°F (-28°C)
- Magnetic particle inspected

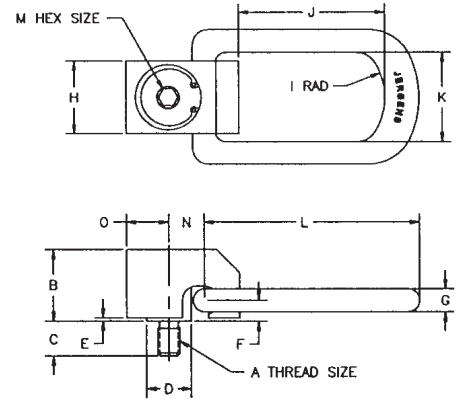
Ideally suited for OEM applications



Small Side Swivel*



Large Side Swivel



Inch

Part Number	Load Capacity (lbs)	Thread Size A	B	C	D	E	F	G	H	I	J	K	L	Hex Size M	N	O	Torque (ft. lbs)	Wt. (lbs)
47800*	650	5/16-18	15/16	15/32	5/8	1/16	9/32	5/16	1	1	2 1/16	1 3/4	2 31/32	1/4	1/2	1/2	3.5	0.6
47801*	800	3/8-16	15/16	9/16	5/8	1/16	9/32	5/16	1	1	2 1/16	1 3/4	2 31/32	1/4	1/2	1/2	4.5	0.6
47802	1800	1/2-13	137/64	3/4	1	5/64	7/16	1/2	1 5/8	1 1/2	3 1/4	2	4 3/4	3/8	25/32	15/16	15	2.5
47803	2500	5/8-11	137/64	15/16	1	5/64	7/16	1/2	1 5/8	1 1/2	3 1/4	2	4 3/4	3/8	25/32	15/16	25	2.5
47804	4100	3/4-10	137/64	11/8	1	5/64	7/16	1/2	1 5/8	1 1/2	3 1/4	2	4 3/4	3/8	25/32	15/16	50	2.5

*Small Side Swivel

Metric

Part Number	Load Capacity (kg)	Thread Size A	B	C	D	E	F	G	H	I	J	K	L	M	N	O	Torque (Nm)	Wt. (kg)
47850*	325	M8 x 1.25	23.8	15.8	15.8	1.6	7.2	7 9/10	25.4	25.4	52.4	44.5	75.4	6	12.7	12.7	4.2	0.27
47851*	500	M10 x 1.5	23.8	19.8	15.8	1.6	7.2	7 9/10	25.4	25.4	52.4	44.5	75.4	6	12.7	12.7	6	0.27
47852	725	M12 x 1.75	40.1	23.8	25.4	2	11.1	12 7/10	41.3	38.1	82.6	50.8	120.7	10	20	24	20	1.14
47853	1400	M16 x 2.0	40.1	31.8	25.4	2	11.1	12 7/10	41.3	38.1	82.6	50.8	120.7	10	20	24	40	1.14
47854	2290	M20 x 2.5	40.1	39.7	25.4	2	11.1	12 7/10	41.3	38.1	82.6	50.8	120.7	10	20	24	70	1.18

*Small Side Swivel



Swivel Eyebolt



The Jergens Swivel Eyebolt™ lifting product has a full swivel and pivoting action that allows for the flipping and turning of the part without unhooking. The patented tamper resistant design is ideal for permanent mounting on OEM applications or on molds, dies and fixtures.



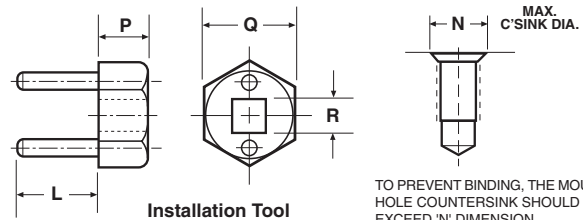
- **Tamper Resistant Design**
- **Swivels 360°, Pivots 180°**
- **Eliminates Bending (of Eyebolt) Problem**
- **Forged, Oversized, One-Piece Lift Ring**
- **Rated at 5:1 Strength Factor**
- **Load Capacities to 4000 Lbs/2000 Kg**
- **Economically Priced**
- **Material: Alloy Steel, or 316 Stainless Steel**
- **Finish: Black Oxide, or Passivated (SS)**
- **3D Solid Models available in multiple formats from www.jergensinc.com**
- **Made in USA**
- **Magnetic particle inspected**

U.S. Patent Nos. 5,634,734
and 5,743,576
Foreign Patent Pending

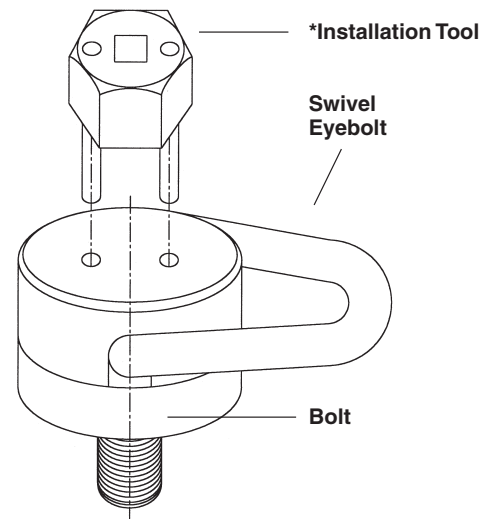
Installation Tool Information

Installation Tool Part Number	Pin Length L	Head Thickness P	Hex Size Q	Square Drive R
47641	11/16	.55	15/16	1/4
47643	1 1/8	.65	1 1/4	3/8

Swivel Eyebolt Part No.	Installation Tool Part No.	Recommended Torque	Maximum Countersink Diameter N
47621	47641	7 ft. lbs.	1/2
47622	47641	20 ft. lbs.	5/8
47631	47641	7 ft. lbs.	1/2
47632	47641	20 ft. lbs.	5/8
47671	47641	10 Nm	13 mm
47672	47641	25 Nm	16 mm
47681	47641	10 Nm	13 mm
47682	47641	25 Nm	16 mm
47625	47643	35 ft. lbs.	3/4
47626	47643	55 ft. lbs.	7/8
47633	47643	35 ft. lbs.	3/4
47634	47643	55 ft. lbs.	7/8
47675	47643	50 Nm	19 mm
47676	47643	80 Nm	22 mm
47683	47643	50 Nm	19 mm
47684	47643	80 Nm	22 mm

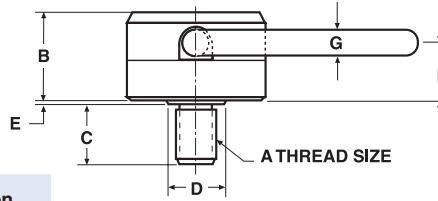
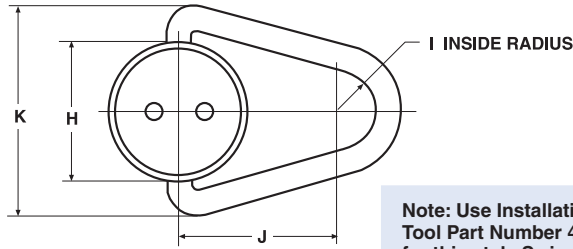


TO PREVENT BINDING, THE MOUNTING HOLE COUNTERSINK SHOULD NOT EXCEED 'N' DIMENSION.



*Installation tool is required.

Small Swivel Eyebolt



Note: Use Installation Tool Part Number 47641 for this style Swivel Eyebolt on page 27.

Swivel Eyebolt

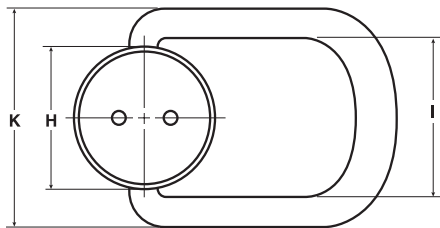
Part Number		Load Capacity (lbs)		Thread Size A	B	C	D	E	F	G	H	I	J	K
Alloy Steel	Stainless Steel	Alloy Steel	Stainless Steel											
47621	47631	1000*	500	3/8 - 16	1 3/32	9/16	3/4	3/64	45/64	5/16	1 3/4	1/2	2	2 5/8
47622	47632	2000*	1000	1/2 - 13	1 3/32	3/4	3/4	3/64	45/64	5/16	1 3/4	1/2	2	2 5/8

Metric Swivel Eyebolt

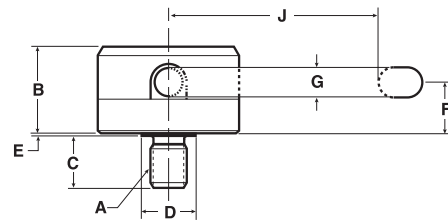
Part Number		Load Capacity (Kg)		Thread Size A	B	C	D	E	F	G	H	I	J	K
Alloy Steel	Stainless Steel	Alloy Steel	Stainless Steel											
47671	47681	500*	250	M10 x 1.5	27.8	14.6	19.1	1.2	17.9	7.9	44.5	12.7	50.8	66.7
47672	47682	700	350	M12 x 1.75	27.8	19.1	19.1	1.2	17.9	7.9	44.5	12.7	50.8	66.7

*Rated load may be reduced at 90° from vertical.

Large Swivel Eyebolt



Note: Use Installation Tool Part Number 47643 for this style Swivel Eyebolt on page 27.



Swivel Eyebolt

Part Number		Load Capacity (lbs)		Thread Size A	B	C	D	E	F	G	H	I	J	K
Alloy Steel	Stainless Steel	Alloy Steel	Stainless Steel											
47625	47633	3000	1500	5/8 - 11	1 33/64	15/16	7/8	1/32	57/64	1/2	2 1/2	2 3/4	3 1/2	3 13/16
47626	47634	4000	2000	3/4 - 10	1 33/64	1 1/8	1	1/32	57/64	1/2	2 1/2	2 3/4	3 1/2	3 13/16

Metric Swivel Eyebolt

Part Number		Load Capacity (Kg)		Thread Size A	B	C	D	E	F	G	H	I	J	K
Alloy Steel	Stainless Steel	Alloy Steel	Stainless Steel											
47675	47683	1500	750	M16 x 2.0	38.5	23.8	22.2	.8	22.6	12.7	63.5	70	93	97
47676	47684	2000	1000	M20 x 2.5	38.5	30.2	25.4	.8	22.6	12.7	63.5	70	93	97

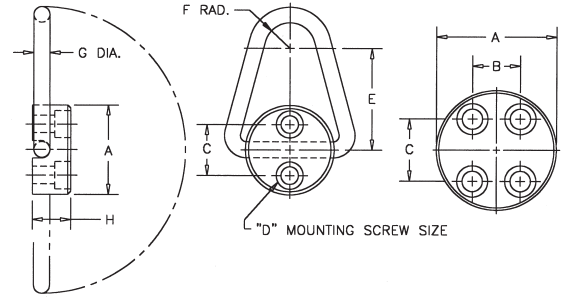


Pivoting Lift Ring



The Jergens Pivoting Lift Ring is a low profile lifting device that pivots 180°. It is one of the most economical lifting devices available and is ideal for applications that do not require a swivel action. This Lift Ring is easy to install and is available in five sizes. Load ratings range from 2,000 - 20,000 lbs. The product is manufactured from alloy steel, heat treated and magnafluxed.

- **Base: Precision Machined Alloy Steel**
- **Ring: Alloy Steel forging, heat treated, magnafluxed and certified**
- **Finish: Black Oxide**
- **Rated at 6:1 Strength Factor**
- **3D Solid Models available in multiple formats from www.jergensinc.com**
- **Made in USA**



- Stated load capacity with SHCS per ASTM A574/A574M

Pivoting Lift Rings

Part Number	Load Capacity (lbs)	A	B	C	Mounting Bolt Part No.	Thread & Length D	E	F	G	H
47411	2000	1 3/4	–	1	47421	5/16-18 x 1 1/4	2	1/2	5/16	3/4
47412	2500	2 1/4	–	1 1/8	47422	3/8-16 x 1 1/2	2 1/2	5/8	3/8	7/8
47413	5000	2 1/2	–	1 1/2	47423	1/2-13 x 1 3/4	3	3/4	1/2	1 1/8
47414*	12000	3 1/8	1 1/4	1 5/8	47424	1/2-13 x 2 1/2	4	7/8	3/4	1 3/8
47415*	20000	3 5/8	1 1/4	2 1/16	47425	5/8-11 x 2 1/2	5	1	1	1 7/8

*The larger load capacity rings have four mounting holes.
 *Note: Mounting Bolts must be ordered separately.

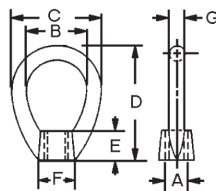
Metric Pivoting Lift Rings

Part Number	Part Number with Pull Test & Metric Screws	Load Capacity (kg)	A	B	C	Mounting Bolt Part No.	Thread & Length D	E	F	G	H
47411	47411-PTMS	900	45	–	25.4	47471	M 8 x 1.25 x 35 mm	51	13	8	19
47412	47412-PTMS	1100	57	–	28.6	47472	M 10 x 1.5 x 40 mm	64	16	10	22
47413	47413-PTMS	2250	64	–	38.1	47473	M 12 x 1.75 x 45 mm	76	19	13	29
47414*	47414-PTMS	5400	80	31.8	41.3	47474	M 12 x 1.75 x 55 mm	102	22	19	35
47415*	47415-PTMS	9000	92	31.8	52.4	47475	M 16 x 2.0 x 65 mm	127	25.4	25.4	48

*The larger load capacity rings have four mounting holes.
 *Note: Mounting Bolts must be ordered separately.

Eye Nuts

Inch



- **ASTM A 105**
- **Material: C-1030 Forge**
- **Use in Vertical Pull Only**

Part Number	A	B	C	D	E	F	G	Load Wt (lbs)	Capacity (lbs)
18901	3/8-16	1 1/4	2	2 1/2	5/8	7/8	3/8	.22	2700
18902	1/2-13	1 1/4	2	2 1/2	5/8	7/8	3/8	.22	2700
18903	5/8-11	1 1/2	2 1/2	3	3/4	1 3/8	1/2	.50	5000
18904	3/4-10	1 1/2	2 1/2	3	3/4	1 3/8	1/2	.50	5000
18905*		1 1/2	2 1/2	3	3/4	1 3/8	1/2	.50	5000

*Blank



Shoulder Eye Bolts



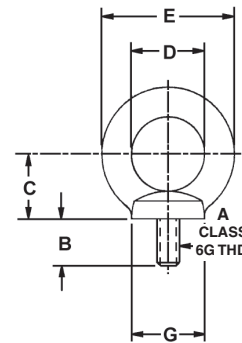
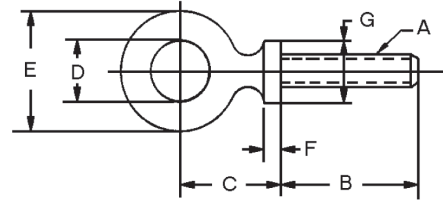
- Material: C-1030 Forge
- Finish: Mill
- Thread: 2A
- ASME B 18.15
- Rated at 5:1 strength factor
- Recommended for vertical loads ONLY
- Temperature range: 30°F to 275°F

For other than vertical loads, general practice is to use 60% of the working load capacity for a load 30° from vertical; 33% of vertical load for load 45° from vertical; and 20% of vertical load for load 90° from vertical.

NOTE: 2 1/2 threads runout on threaded portion.

Inch

Part Number	A	B	C (Ref.)	D	E	F (Ref.)	G	Wt (lbs)	Load Capacity (lbs)
18501	1/4-20	1	11/16	3/4	1 3/16	3/16	1/2	.05	500
18502	5/16-18	1 1/8	7/8	7/8	1 7/16	3/16	5/8	.10	900
18503	3/8-16	1 1/4	1 1/16	1	1 21/32	3/16	11/16	.16	1300
18504	1/2-13	1 1/2	1 5/16	1 3/16	2 1/16	1/4	7/8	.36	2400
18505	5/8-11	1 3/4	1 19/32	1 3/8	2 1/2	1/4	1 1/8	.65	4000
18506	3/4-10	2	1 23/32	1 1/2	2 13/16	5/16	1 1/4	1.00	5000
18507	7/8-9	2 1/4	2 3/16	1 11/16	3 1/4	3/8	1 7/16	1.70	7000
18508	1-8	2 1/2	2 13/32	1 13/16	3 9/16	13/32	1 9/16	2.36	9000
18509	1 1/8-7	2 3/4	2 23/32	2	4	15/32	1 11/16	3.41	12000
18510	1 1/4-7	3	2 15/16	2 3/16	4 7/16	1/2	1 7/8	4.68	15000
18511	1 1/2-6	3 1/2	3 7/16	2 1/2	5 3/16	9/16	2 3/16	7.77	21000
18512	1 3/4-5	3 3/4	3 31/32	2 7/8	6 1/16	5/8	2 1/2	11.35	28000
18513	2-4 1/2	4	4 1/2	3 1/4	6 7/8	3/4	2 7/8	16.70	38000



Metric - Short

Loads given ensure a strength factor of four against deformation of any kind and strength factor of five against fracture.

- Material: C-15 Annealed (AISI 1015)
- Finish: Mill
- Thread: 6g

Part Number	A	B	C (Ref.)	D	E	G	Wt (kg)
18551	M6 x 1	13.0	17.5	19.1	36.5	20.0	.023
18552	M8 x 1.25	13.0	22.2	22.2	36.5	20.0	.045
18554	M12 x 1.75	20.5	33.3	30.2	52.4	30.0	.163
18555	M16 x 2	27.0	40.5	34.9	63.5	35.0	.295

Maximum permissible loads in lbs.	
For one bolt firmly tightened	For two bolts total
150	100
300	200
700	500
1500	1100

Metric - Standard

Part Number	A	B	C (Ref.)	D	E	F (Ref.)	G	Wt (lbs)	Load Capacity (kg)	Load Capacity (lbs)
18561	M6 x 1.0	25.4	20.6	19	30.0	3.9	13.5	.06	210	462
18562	M8 x 1.25	31.7	29.4	25	43.0	4.8	17.5	.17	500	1110
18563	M10 x 1.5	35.0	33.3	27	46.0	5.2	19.8	.24	740	1628
18564	M12 x 1.75	38.0	36.5	30	54.0	5.6	22.2	.36	1030	2266
18565	M16 x 2.0	44.5	43.6	35	65.0	6.3	27.0	.69	1600	3520
18566	M20 x 2.5	57.0	55.6	41	81.0	9.5	36.5	1.51	2860	6292
18567	M24 x 3.0	63.5	61.1	44	90.4	10.3	39.7	2.36	3850	8470
18568	M30 x 3.5	76.0	74.6	55	112.7	12.7	47.6	4.68	6400	14080
18569	M36 x 4.0	89.0	87.3	63	131.8	14.3	55.6	7.77	8970	19734
18570	M42 x 4.5	95.0	93.6	73	152.4	15.1	60.3	11.10	11960	26312
18571	M48 x 5.0	101.6	107.9	82	174.6	17.5	69.8	15.90	16400	36080

- Material: C-1030 Forge
- Finish: Mill
- Thread: 6g

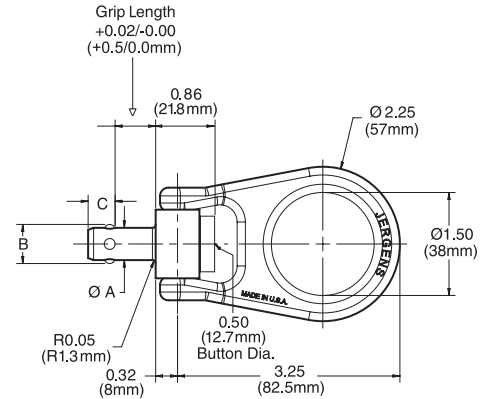
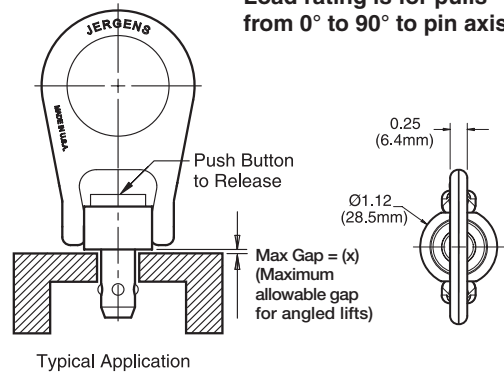


MADE IN THE USA

Kwik-Lok® Lifting Pins



- All stainless steel construction and components
- 17-4 PH stainless steel forged, heat treated lifting ring with large opening
- Lifting ring with Load Spreader Bar
- 5:1 strength factor
- 360° Swivel
- 180° Pivot
- Also chosen for lashing applications



Lifting Pin Specifications - Inches

Nom Pin Dia	Max Load Rating (lbs)	ØA		+/-0.005 B	+0.00/-0.04 C	Max Gap (X) (in)	Required Hole Diameter (in)	
		Min	Max				Max	Min
1/4	400	.2470	.2485	.286	.290	0.06	0.2540	0.2500
5/16	700	.3095	.3110	.375	.330	0.06	0.3165	0.3125
3/8	1,000	.3720	.3735	.440	.365	0.06	0.3790	0.3750
1/2	1,250	.4970	.4985	.594	.460	0.06	0.5050	0.5000
5/8	1,400	.6220	.6235	.750	.580	0.06	0.6300	0.6250

Lifting Pin Specifications - Metric

Nom Pin Dia	Max Load Rating (kg)	ØA		+/-0.25 B	+0.0/-1.0 C	Max Gap (X) (mm)	Required Hole Diameter (mm)	
		Min	Max				Max	Min
10	450	9.92	9.96	12.00	9	1.5	10.1	10.0
12	560	11.92	11.96	14.27	10	1.5	12.1	12.0
16	630	15.92	15.96	19.00	14	1.5	16.1	16.0

*Dimensions in millimeters

Kwik-Lok® Lifting Pin - Inches

Dia.	Grip Length							
	0.50	0.75	1.00	1.25	1.50	2.00	2.50	3.00
1/4	807216	807217	807218	807219	807220	807222	807224	807225
5/16	807232	807233	807234	807235	807236	807238	807240	807241
3/8	807248	807249	807250	807251	807252	807254	807256	807257
1/2	807280	807281	807282	807283	807284	807286	807288	807289
5/8	807312	807313	807314	807315	807316	807318	807320	807321

Kwik-Lok® Lifting Pin - Metric

Dia.	Grip Length							
	15	20	25	30	35	40	50	75
10	857237	857238	857239	857240	857299	857241	857242	857307
12	857249	857250	857251	857252	857300	857253	857254	857308
16	857261	857262	857263	857264	857301	857265	857266	857309

Important: Please review all operating instructions that are included in the packaging or online before use.

Note: If the required hole size cannot be achieved; Jergens recommends the use of our threaded receptacle (see page 32); Please Contact Customer Service with any questions.

*Lifting load ratings are based on tests with hardened tool steel plates or shoulder bushings. Load ratings may be reduced if oversized holes or parent material under 80,000 psi tensile are used.

*Kwik-Lok® Lifting Pins are not suited for continuous rotation under load.



Threaded Receptacles

High Strength Stainless Steel, 17-4 PH heat treated

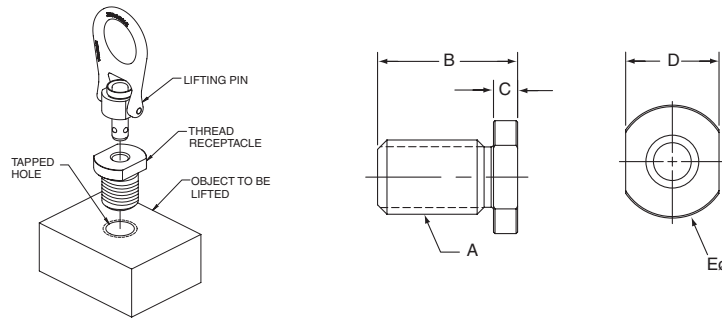


KLP Threaded Receptacles - Inch

For Kwik-Lok® Lifting Pin		Use Receptacle Part Number	Thread Size A	Overall Length B	Head Height C	Head Flats D	Diameter E	Install Torque (ft. lbs)
Size	Part Number							
1/4x0.5	807216	845100	1/2-13	0.930	0.16	.62	.75	7
5/16x0.5	807232	845101	3/4-10	1.100	0.28	.87	1.12	18
3/8x0.5	807248	845102	3/4-10	1.100	0.28	.87	1.12	25
1/2x0.5	807280	845103	1 1/8-7	1.625	0.37	1.25	1.62	47
5/8x0.5	807312	845104	1 1/8-7	1.625	0.37	1.25	1.62	53

KLP Threaded Receptacles - Metric

For Kwik-Lok® Lifting Pin		Use Receptacle Part Number	Thread Size A	Overall Length B	Head Height C	Head Flats D	Diameter E	Install Torque (Nm)
Size	Part Number							
10x15	857237	855100	M20x2.5	29	7	26	34.8	35
12x15	857249	855101	M22x2.5	37	9	30	34.8	49
16x15	857261	855102	M27x3	41	10	32	41.2	68



Kwik-Lok® Lifting Pin Kits - Inch

Kit Part Number	Kwik-Lok® Lifting Pin Size	Receptacle Thread Size	Kwik-Lok® Lifting Pin Part Number	Threaded Receptacle Part Number
847216	1/4 x 0.5	1/2-13	807216	845100
847232	5/16 x 0.5	3/4-10	807232	845101
847248	3/8 x 0.5	3/4-10	807248	845102
847280	1/2 x 0.5	1 1/8-7	807280	845103
847312	5/8 x 0.5	1 1/8-7	807312	845104

*Each kit contains one Kwik-Lok® lifting pin and one corresponding Threaded Receptacle.

Kwik-Lok® Lifting Pin Kits - Metric

Kit Part Number	Kwik-Lok® Lifting Pin Size	Receptacle Thread Size	Kwik-Lok® Lifting Pin Part Number	Threaded Receptacle Part Number
877237	M10 x 15	M20 x 2.5	857237	855100
877249	M12 x 15	M22 x 2.5	857249	855101
877261	M16 x 15	M27 x 3	857261	855102

*Each kit contains one Kwik-Lok® lifting pin and one corresponding Threaded Receptacle.



Quality Standards Center-Pull and Side-Pull Style Hoist Rings

Load Bearing Member Components

- All material is domestically manufactured certified alloy steel.
- All components are machined prior to manufacture to remove any surface defects.
- All components are heat treated and certified to manufacturing specifications.
- Bolts are:

Inch	Thread Class	Metric	Metric Thread Class
Socket Screw Grade	Up to 1" 3A	Class 12.9	Class 6g
Tensile Strength	Over 1" 2A	Tensile Strength	
-180,000 psi - 1/2" or Smaller		-1220 MPa	
-170,000 psi - Over 1/2"		- (177,000 psi)	
100% Magnetic Particle		100% Magnetic Particle	
Inspected to ASTM E709-15		Inspected to ASTM E709-15	
& ASTM A574		& ASTM A574M	

- All other load bearing components are magnetic particle inspected based upon ASTM E709-15 and MIL-STD-1916 with zero defects permissible.
- Bolt torque and hoist ring load limit permanently marked on washer.
- AS 9100 Rev D / ISO 9001:2015 Certified.

Individual certificate of proof-test accompanies Center-Pull and Side-Pull Style hoist rings in final packaging.



(1) Distinguishing Mark	(2) Description of Item Tested	(3) Quantity Tested	(4) Date Tested	(5) Load Applied	(6) Rated Load
TA	23411	1	08/07/2019	5,000 LBS	2500 LBS
	HOIST RING				

(7) Name and Address of Supplier:	Jergens Inc., 15700 Waterloo Rd., Cleveland, OH 44110
(8) Name and Address of Company performing test:	Jergens Inc., 15700 Waterloo Rd., Cleveland, OH 44110
(9) Position of Signatory in Company:	Quality Assurance Supervisor

We hereby certify that Jergens Inc. test procedure requires all hoist rings to be proof tested and examined; and that this form is evidence that the test operator completed all procedures as required.

Jergens Inc. certifies that all hoist rings have been proof rested and examined in accordance with Jergens QSWI 3.10 and that this test completes all procedures as required.



(Signature) *Sean Shaeterson*



In substantial agreement with (OSHA) 29 CFR 1918, ANSI/ASME B30.26, MIL-STD-1365C, MIL-STD-209K

Quality Standards For Center-Pull and Side-Pull Style Hoist Rings

Assembly Data

- Traditional Center Pull and Side Pull hoist ring assemblies are pull-tested and certified to 200% of rated load capacity and stamped with identifying date code.
- All hoist rings are designed for 5:1 strength factor.
- Hoist rings are color coded for easy identification: gold washer denotes inch sizes, silver/clear blue washer denotes metric sizes.
- Finished assembly is black oxide (with the exception of the washer).
- The Jergens name or logo is prominently displayed on assembly for identification of original manufacturer.
- Special plating or marking is available upon customer's request.
- Proper warning label is affixed to each clevis.
- Proof load testing, magnafluxing and heat treating are on file at Jergens, Inc.
- Material Certs available for nominal cost and must be requested with initial order.
- The finished hoist ring product is individually boxed.

NOTE: Specifications for side pull style hoist rings are identical to center pull style with the exception that the clevis is of precision cast alloy material which is serialized and conforms to X-ray specifications.

Contact Jergens for quality standards on all other lifting products.

Multi-lingual safety data instructions included in each package

IMPORTANT

GIVE TO SAFETY MANAGER

IMPORTANT

À FOURNIR AU
DIRECTEUR DE SÉCURITÉ

IMPORTANTE

ENTREGAR AL
SUPERVISOR DE SEGURIDAD

IMPORTANTE

CONSEGNARE AL
RESPONSABILE PER LA
SICUREZZA

IMPORTANTE

DÊ PARA O GERENTE
DE SEGURANÇA

WICHTIG

AN DEN
SICHERHEITSMANAGER
WEITERGEBEN

重要

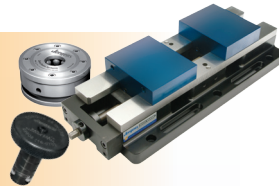
安全管理担当者様

Jergens Way • 15700 S. Waterloo Rd.
Cleveland, Ohio 44110-3898
Phone: (216) 486-5540 • Fax: (216) 481-6193

Printed in the U.S.A.
© Copyright 2011

We Are Jergens

WORKHOLDING SOLUTIONS



SUPPORT, LOCATE AND HOLD:

From standard components to vises and quick change fixture systems like Ball Lock®, ZPS and Fixture-Pro® Multi-Axis.

SPECIALTY FASTENERS



FASTEN, STRENGTHEN AND SECURE:

From threaded inserts and toggle clamps to Kwik-Lok® Pins.

LIFTING SOLUTIONS



LIFT, TURN AND TRACK:

From chain sling and eye bolts to hoist rings and our proprietary Lift-Check™ hoist rings.

We got our start back in 1942, manufacturing tooling components to help American manufacturers operate quickly and more efficiently. “The Standard Components with the Highest Standards:” This founding philosophy put Jergens on the forefront of the “lean manufacturing” movement before anyone even thought to put those two words together.

In the years since, Jergens has structured its offering to advance the cause of leaner manufacturing, adding products and engineered solutions for an integrated approach to “Manufacturing Efficiency.”

You can find Jergens products just about anywhere in the manufacturing environment.

Jergens
MANUFACTURING EFFICIENCY

Jergens®

MANUFACTURING EFFICIENCY

WORLD HEADQUARTERS

15700 S. WATERLOO ROAD
CLEVELAND, OH 44110-3898

 877.440.LIFT (5438)

 JERGENSINC.COM

 LIFTING@JERGENSINC.COM

DISTRIBUTED BY:



WORKHOLDING SOLUTIONS



SPECIALTY FASTENERS



LIFTING SOLUTIONS

©2020 JERGENS, INC. | TW0820

